

# SCANSTRUT

# ATMOS

ATMOS, by Scanstrut, will revolutionize your family's boating experience.

This beautifully designed, in-built airstation is here to maximize quality time on the water.



Patent Pending.



# SCANSTRUT

## ATMOS



Patent Pending.

At the push of a button, ATMOS is ready to inflate your paddleboards and towables: simply set the target pressure and let ATMOS do all the hard work.

Utilizing Scanstrut's outdoor technology DNA, this is waterproof on-board air that's engineered to thrive in the harsh marine environment.

Next-gen air pump technology provides fast, effortless inflation (and deflation) for all your on-water toys.

Compact and shallow, ATMOS fits into almost any panel on board: locate into seating, consoles or by the swim platform. Now you have ready-to-go air, right where it's needed, for even more family fun on the water.



## Performance

Time to inflate 10ft 6" SUP to 20 PSI	6 to 8 mins
Time to inflate towable to 1.5 PSI	> 3 mins ≈
Time to deflate 10ft 6" SUP	> 1 min ≈
Time to deflate towable	> 1 min ≈
Time to inflate a swim platform to 5 PSI	> 16 mins ≈
Time to inflate a 12ft dinghy to 3 PSI	> 13 min ≈
Screen	LCD, high brightness and colour, daylight viewable, wide viewing angle
Screen information	Switch PSI or BAR; pre-set pressure; voltage readout
Stand-by mode	No activity auto power-off at 5 mins
Auto shut-off	At target pressure

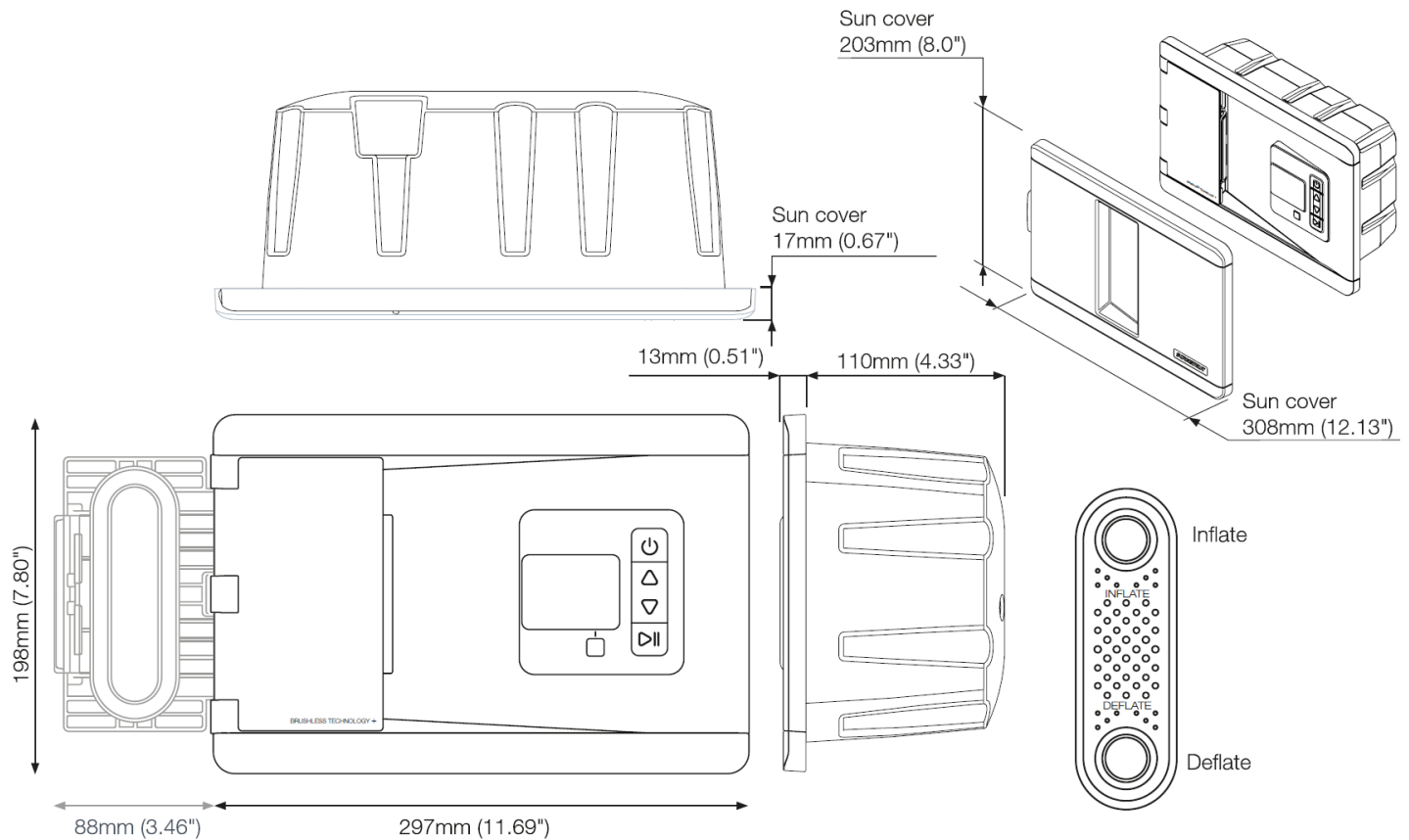
## Technical

Max pressure	20 PSI / 1.37 BAR
Max volume of airflow 0-1 PSI	350 LPM/12.3 CFM
Max volume of airflow 1-20 PSI	70 LPM/2.5 CFM
Included valve connectors	Boston Valve, C7 Valve, H3/HR Valve, Pinch Valves, 805 Valve
Length of hose included	2.5m (8ft). Includes net storage bag
Input voltage	12V Battery system (11.5 – 14V)
Max current draw	12A (140W)
Standby power draw	0.1W Max
Two stage pump	Stage 1 = 0 - 1 PSI Stage 2 = 1.1 - 20 PSI
Ambient operating temp	-20° to +50 °C
Max run time per session	25 mins



### Installation

How	Panel mounted using self-tapping screws or bolts (not included) foam gasket included.
Where	Fit into a wide variety of locations on board: seating, side panels or consoles. Min cavity depth 110mm (4.33")
Installation angle	+ 10° to - 30° from vertical
Service	No end-user serviceable parts



P/N: SC-AOB-A2

### Environment

Protection	Reverse polarity, short-circuit, under voltage, overload, over temp
Under protection	Soft motor start
Environmental protection	Conformal coated electronics and PCB
Under environmental protection	E coated motors and A4 stainless steel pump mechanism
Certifications	CE, ROHS, UN ECE R10, UKCA
Cable length	500mm (20") 2x 1.5mm <sup>2</sup> 16 AWG
Waterproof rating	IPX6 front and rear (door closed)
Air flow	In and out of front of unit only. Rear of unit sealed
Ignition Protection	Complies ISO 8846 and SAE J1171.

Product specifications and accessories may be changed at any time based on improvements and other reasons.