

Product & Parts

In this section we introduce you the AGP parts with their codes, names and photos. The codes are useful when placing parts replenishment order with Intex, or when you receive parts replenishments from Intex.

Description and photos are handy tools as well when you receive inquiry of parts from consumers, or when you manage your stockpiles of parts at your service warehouse.

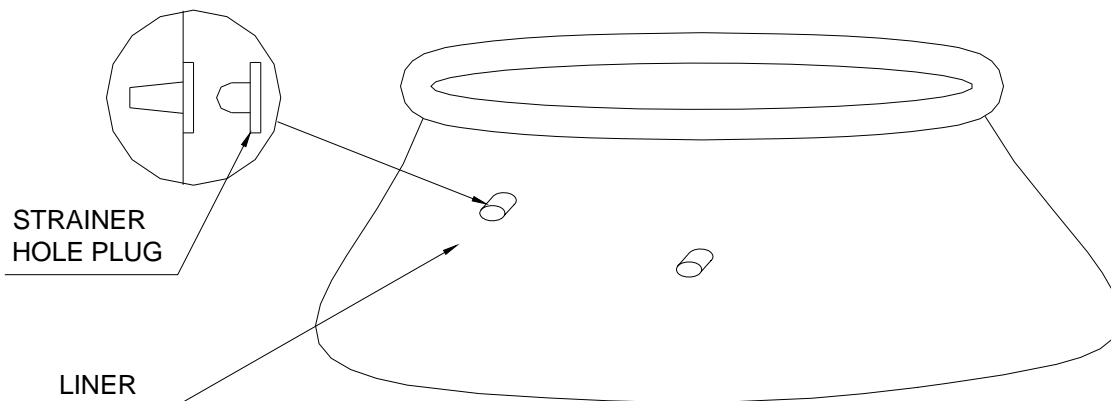
You also may find Product & Part on our website. Check section “Consumer Service Tools” for the roadmap.

POOL PARTS LIST

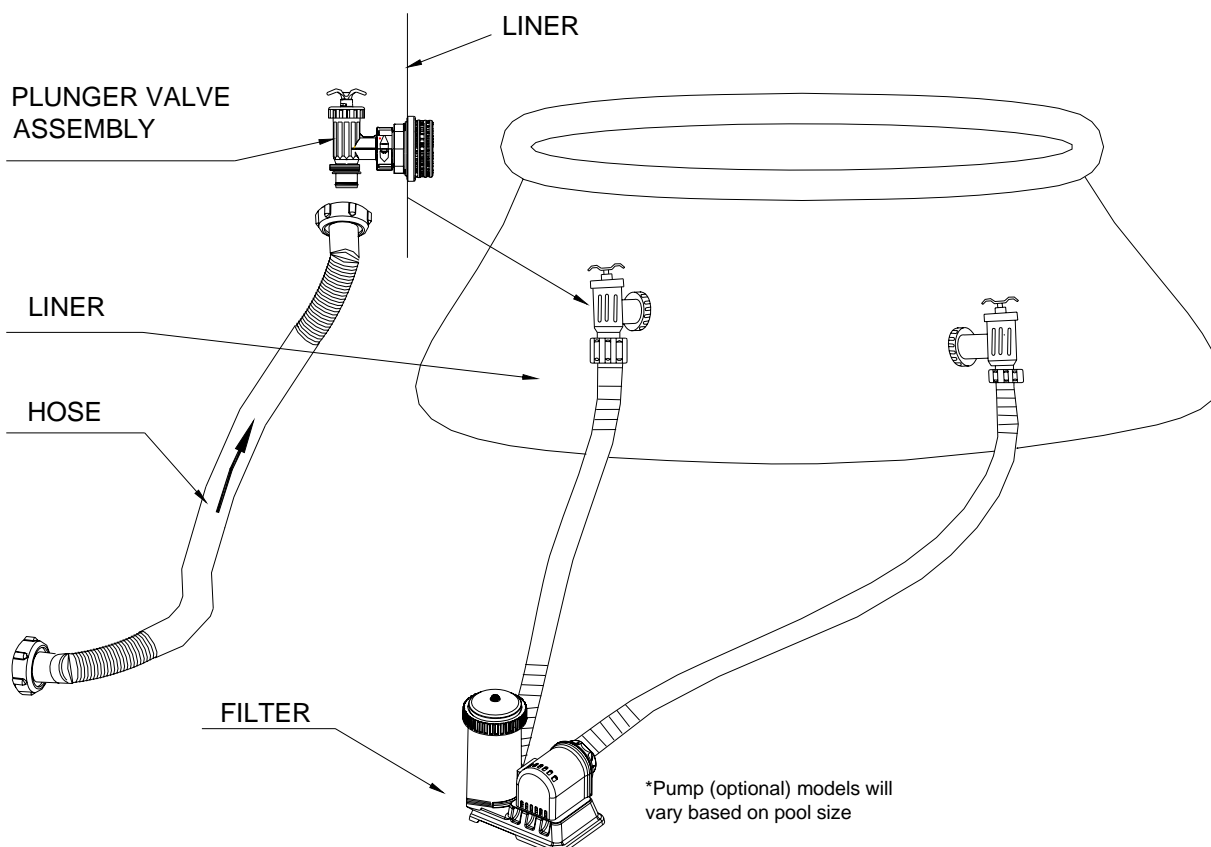


EASY SET™ POOL

PARTS REPLACEMENT



TYPE A: 16' (488 cm) & BELOW EASY SET™ POOLS



TYPE B: 17' (518 cm) & ABOVE EASY SET™ POOLS

EASY SET™ POOL

REF. NO.	SPARE PART NO.	DESCRIPTION	QTY	REMARK
	11588	6'X20" EASY SET POOL LINER	1	
	10433	8'X30" EASY SET POOL LINER	1	
	11246	8'X30" CLEARVIEW EASY SET POOL LINER	1	
	10318	10'X30" EASY SET POOL LINER	1	
	11303	10'X30" OCEAN REEF EASY SET POOL LINER	1	
	10200	12'X30" EASY-SET POOL LINER	1	
	11304	12'X30" OCEAN REEF EASY SET POOL LINER	1	
	10319	12'X36" EASY SET POOL LINER	1	
*	11302	14'X42" EASY SET POOL LINER	1	2011 DISCONTINUE
***	10622	15'X33" EASY SET POOL LINER	1	
	10183	15'X36" EASY-SET POOL LINER	1	
	10222	15'X42" EASY-SET POOL LINER	1	
	10415	15'X48" EASY SET POOL LINER	1	
	10436	16'X42" EASY SET POOL LINER	1	
***	10623	16'X48" EASY-SET POOL LINER	1	
***	11400	16'X52" GREY EASY SET POOL LINER	1	
	10242	18'X42" EASY-SET POOL LINER	1	
	10320	18'X48" EASY SET POOL LINER	1	
	10765	18'X52" EASY SET POOL LINER	1	2011 DISCONTINUE
	10127	STRAINER HOLE PLUG FOR 16' & BELOW AGP POOLS	3	
	10649	DRAIN VALVE CAP FOR 36" HEIGHT & BELOW AGP POOLS	1	
●	11044	DRAIN VALVE CAP FOR 42" HEIGHT AND ABOVE AGP POOL	1 or 2	
*	10184	DRAIN CONNECTOR	1	
**	10201	DRAIN CONNECTOR	1	

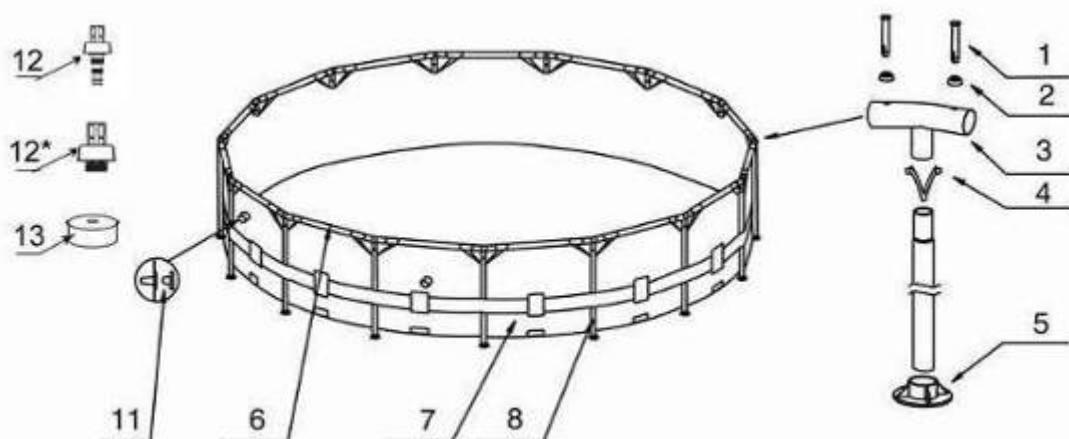
* ONLY AVAILABLE FOR USA AND CANADA

** ONLY AVAILABLE FOR COUNTRIES EXCEPT USA AND CANADA

*** ONLY AVAILABLE FOR FRANCE

● FOR 18' EASY SET POOL, THE QUANTITIES ARE 2 PCS

CIRCULAR METAL FRAME POOL PARTS REPLACEMENT



REF. NO.	SPARE PART NO.	DESCRIPTION	POOL SIZE & QTY				
			10' X 30" (305 x 76cm)	12' X 30" (366 x 76cm)	12' X 33" (366 x 84cm)	12' X 39" (366 x 99cm)	13' X 39" (396 x 99cm)
1	10426	PIN (WITH 2 EXTRA)	22	26	26	26	28
2	10648	SEAL (WITH 2 EXTRA)	22	26	26	26	28
3	10463	T - JOINT	10				
3	10424	T - JOINT		12	12	12	
3	11126	T - JOINT					13
4	10313	SPRING PIN	10	12	12	12	13
5	10576	LEG CAP	10	12	12	12	
5	10309	LEG CAP					13
6	10618	HORIZONTAL BEAM	10	12	12	12	
6	10414	HORIZONTAL BEAM					13
7	10615	10' X 30" POOL LINER	1				
7	10616	12' X 30" POOL LINER		1			
7*	11295	12' X 33" POOL LINER (2012 D)			1		
7	11213	12' X 39" POOL LINER				1	
7*	11327	13' X 39" POOL LINER					1
8	10619	VERTICAL LEG (SPRING PIN INCLUDED)	10	12			
8	11296	VERTICAL LEG (SPRING PIN INCLUDED)			12		
8	11214	VERTICAL LEG (SPRING PIN INCLUDED)				12	
8*	11309	VERTICAL LEG (SPRING PIN INCLUDED)					13
9	10587	RESTRAINING ROPE					1
11	10127	STRAINER HOLE PLUG(WITH 1 EXTRA)	3	3	3	3	3
12*	10184	DRAIN CONNECTOR	1	1	1	1	1
12**	10201	DRAIN CONNECTOR	1	1		1	
13	10649	DRAIN VALVE CAP	1	1	1	1	1

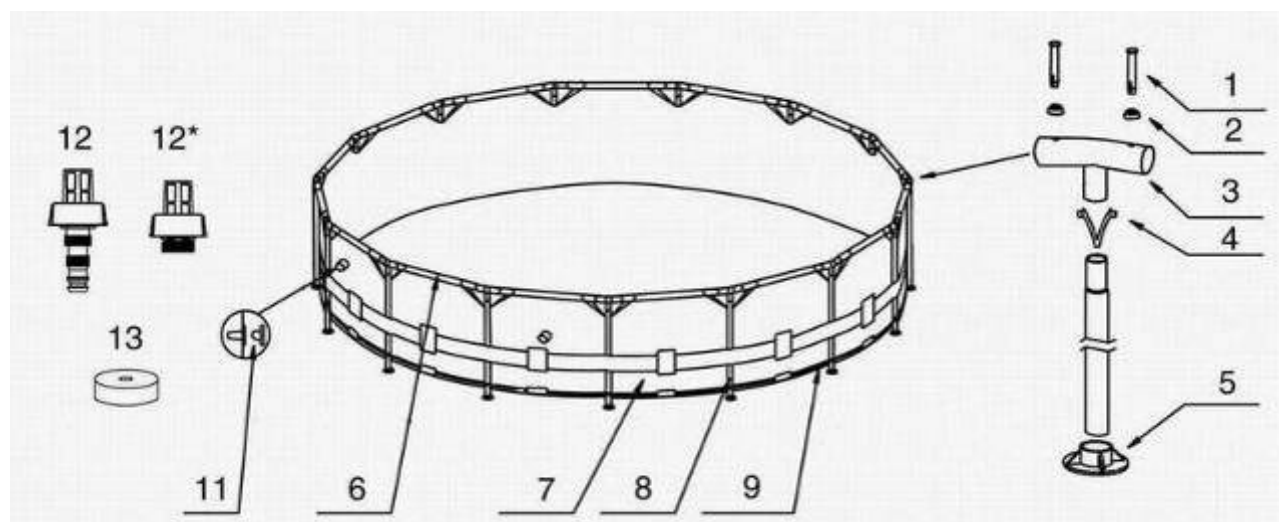
* ONLY AVAILABLE FOR USA AND CANADA

** ONLY AVAILABLE FOR COUNTRIES EXCEPT USA AND CANADA

"D" MEANS "DISCONTINUE"

REMARK: POOL LINERS INCLUDE DRAIN VALVE CAP AND 10 'and 12' METAL FRAME WITHOUT RESTRAINING ROPE.

CIRCULAR METAL FRAME POOL PARTS REPLACEMENT



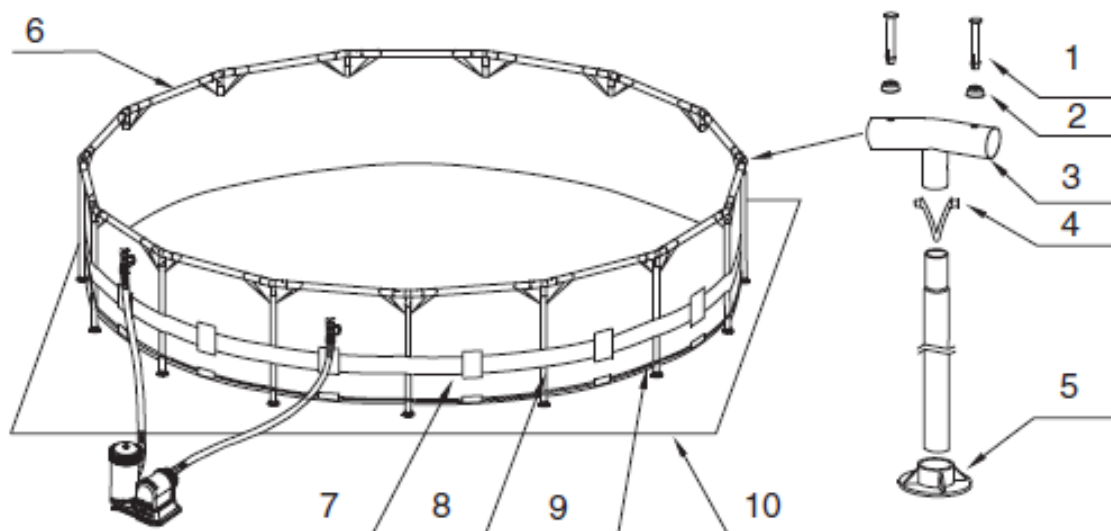
REF. NO.	SPARE PART NO.	DESCRIPTION	POOL SIZE & QTY					
			14' X 42" (427x107cm)	14' X 48" (427x122cm)	15' X 36" (457x91cm)	15' X 42" (457x107cm)	15' X 48" (457x122cm)	16' X 48" (488x122cm)
1	10312	PIN(WITH 2 EXTRA)	30	30	32	32	32	34
2	10648	SEAL(WITH 2 EXTRA)	30	30	32	32	32	34
3	10310	T - JOINT	14		15	15		
3	10861	T - JOINT		14			15	16
4	10313	SPRING PIN	14	14	15	15	15	16
5	10309	LEG CAP	14	14	15	15	15	16
6	10414	HORIZONTAL BEAM	14	14	15	15	15	16
7***	10987	14' X 42" POOL LINER	1					
7**	11301	14' X 48" POOL LINER		1				
7	10584	15' X 36" POOL LINER			1			
7	10585	15' X 42" POOL LINER				1		
7**	11413	15' X 48" POOL LINER					1	
7*	11413E	15' X 48" POOL LINER					1	
7*	10764E	16' X 48" POOL LINER						1
8	10589	VERTICAL LEG(SPRING PIN INCLUDED)	14			15		
8	10864	VERTICAL LEG(SPRING PIN INCLUDED)		14			15	16
8	10590	VERTICAL LEG(SPRING PIN INCLUDED)			15			
9	10587	RESTRAINING ROPE(OPTIONAL)	1	1	1	1	1	
9	10317	RESTRAINING ROPE(OPTIONAL)						1
11	10127	STRAINER HOLE PLUG(WITH 1 EXTRA)	3	3	3	3	3	3
12*	10184	DRAIN CONNECTOR	1	1	1	1	1	1
12**	10201	DRAIN CONNECTOR	1	1	1	1	1	1
13	11044	DRAIN VALVE CAP		1		1	1	1
13	10649	DRAIN VALVE CAP	1		1			

* ONLY AVAILABLE FOR PO AREA IN 110 VOLT.

** ONLY AVAILABLE FOR COUNTRIES EXCEPT USA AND CANADA

*** ONLY AVAILABLE FOR USA & CANADA AND FRANCE

CIRCULAR METAL FRAME POOL PARTS REPLACEMENT

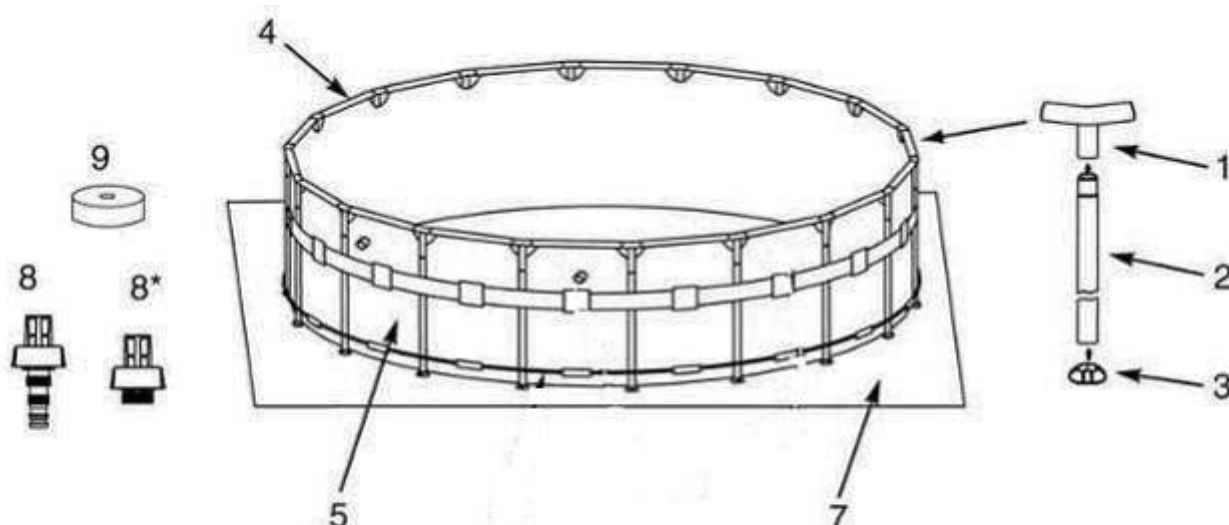


REF. NO.	SPARE PART NO.	DESCRIPTION	POOL SIZE & QTY	
			18' X 48" (549 X 122cm)	24' X 52" (732 X 132cm)
1	10312	PIN	38	50
2	10648	SEAL	38	50
3	10861	T - JOINT	18	
3	10863	T - JOINT		24
4	10313	SPRING PIN	18	24
5	10309	LEG CAP	18	24
6	10414	HORIZONTAL BEAM	18	24
7**	10314	18' X 48" POOL LINER	1	
7*	10314E	18' X 48" POOL LINER	1	
7**	10767	24' X 52" POOL LINER(BLUE)		1
7*	10767E	24' X 52" POOL LINER(BLUE)		1
7	11043	POOL LINER(GREY)		1
8	10864	VERTICAL LEG	18	
8	10865	VERTICAL LEG		24
9	10317	RESTRAINING ROPE(OPTIONAL)	1	
9	10420	RESTRAINING ROPE(OPTIONAL)		1
12*	10184	DRAIN CONNECTOR	1	1
12**	10201	DRAIN CONNECTOR	1	1
13	11044	DRAIN VALVE CAP	2	2

* ONLY AVAILABLE FOR PO AREA IN 110 VOLT.

** ONLY AVAILABLE FOR COUNTRIES EXCEPT USA AND CANADA

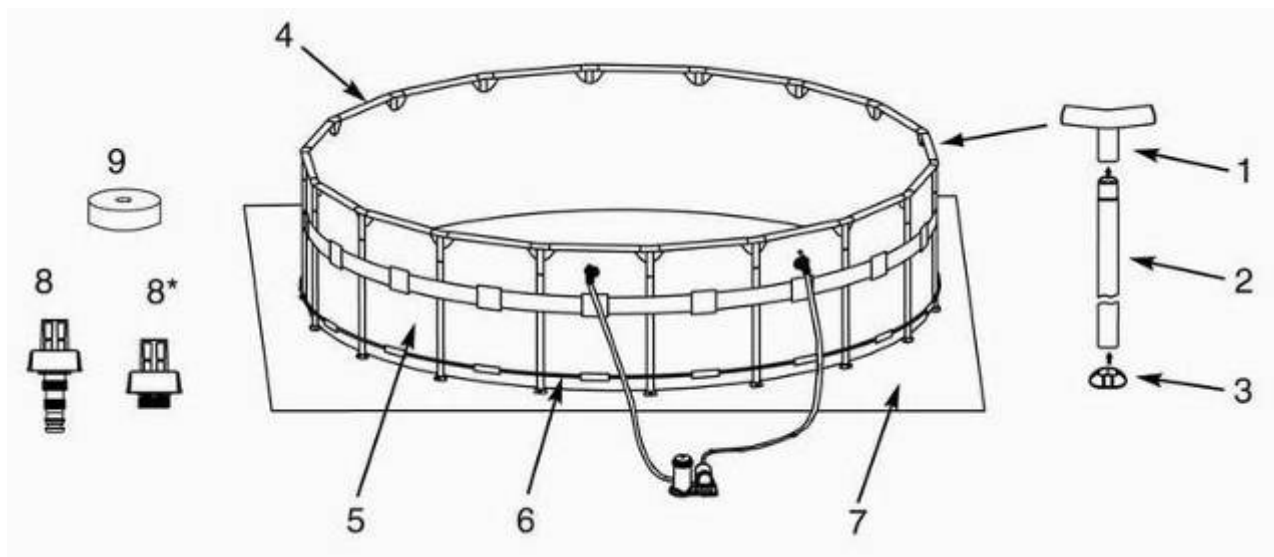
ULTRA FRAME™ POOL PARTS REPLACEMENT



REF. NO.	SPARE PART NO.	DESCRIPTION	QTY		
			12' X 36" (366 X 91cm)	14' X 42" (427 X 107cm)	14' X 48" (427 X 122cm)
1	11527	T - JOINT	12		
1	11359	T - JOINT		14	
1	11458	T - JOINT			14
2	11528	VERTICAL LEG	12		
2	11360	VERTICAL LEG		14	
2	11459	VERTICAL LEG			14
3	11361	LEG CAP	12	14	14
3	11529	HORIZONTAL BEAM	12		
4	11362	HORIZONTAL BEAM		14	14
5*	11517	12' X 36" ULTRA FRAME POOL LINER	1		
5*	11363	14' X 42" ULTRA FRAME POOL LINER		1	
5*	11518E	14' X 48" ULTRA FRAME POOL LINER			1
6	10587	RESTRAINING ROPE		1	1
8*	10184	DRAIN CONNECTOR	1	1	1
9	11044	DRAIN VALVE CAP	1	1	1
11	10127	STRAINER HOLE PLUG(WITH 1 EXTRA)	3	3	3

* ONLY AVAILABLE FOR USA AND CANADA
REMARK: POOL LINER INCLUDES DRAIN VALVE CAP, AND THESE POOL SIZES ARE SPECIAL FOR IRC.

ULTRA FRAME™ POOL PARTS REPLACEMENT

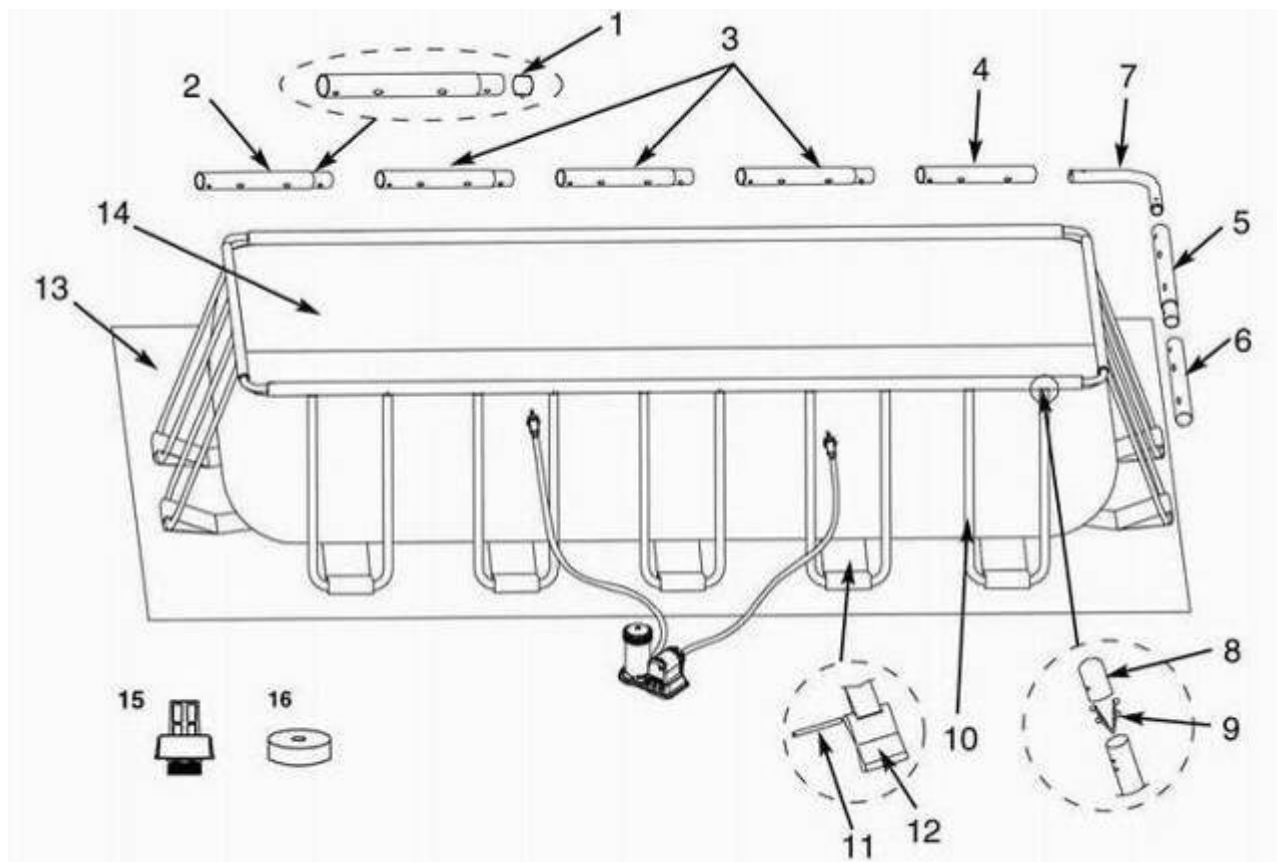


REF. NO.	SPARE PART NO.	DESCRIPTION	POOL SIZE & QTY						
			16' X 48" (488 X 122cm)	18' X 48" (549 X 122cm)	18' X 52" (549 X 132cm)	20' X 48" (610 X 122cm)	22' X 52" (670 X 132cm)	24' X 52" (732 X 132cm)	26' X 52" (793 X 132cm)
1	11449	T - JOINT	16	18		20			
1	11450	T - JOINT			18		22	24	26
2	11452	VERTICAL LEG	16	18	18	20	22	24	26
3	11453	LEG CAP	16	18	18	20	22	24	26
4	11451	HORIZONTAL BEAM	16	18	18	20	22	24	26
5**	11080	16' X 48" ULTRA FRAME POOL LINER	1						
5*	11080E	16' X 48" ULTRA FRAME POOL LINER	1						
5*	11448E	18' X 48" ULTRA FRAME POOL LINER		1					
5**	10989	18' X 52" ULTRA FRAME POOL LINER			1				
5*	10989E	18' X 52" ULTRA FRAME POOL LINER			1				
5*	11291	20' X 48" ULTRA FRAME POOL LINER (2012 DISCONTINUED)				1			
5*	11512E	22' X 52" ULTRA FRAME POOL LINER					1		
5*	11293	24' X 52" ULTRA FRAME POOL LINER (2012 DISCONTINUED)						1	
5*	11541E	26' X 52" ULTRA FRAME POOL LINER							1
6	10317	RESTRAINING ROPE	1	1	1				
6	11292	RESTRAINING ROPE				1			
6	11511	RESTRAINING ROPE					1		
6	10420	RESTRAINING ROPE						1	
6	11544	RESTRAINING ROPE							1
8*	10184	DRAIN CONNECTOR	1	1	1	1	1	1	
8**	10201	DRAIN CONNECTOR	1		1				
9	11044	DRAIN VALVE CAP	1	2	2	2	2	2	

* ONLY AVAILABLE FOR USA AND CANADA

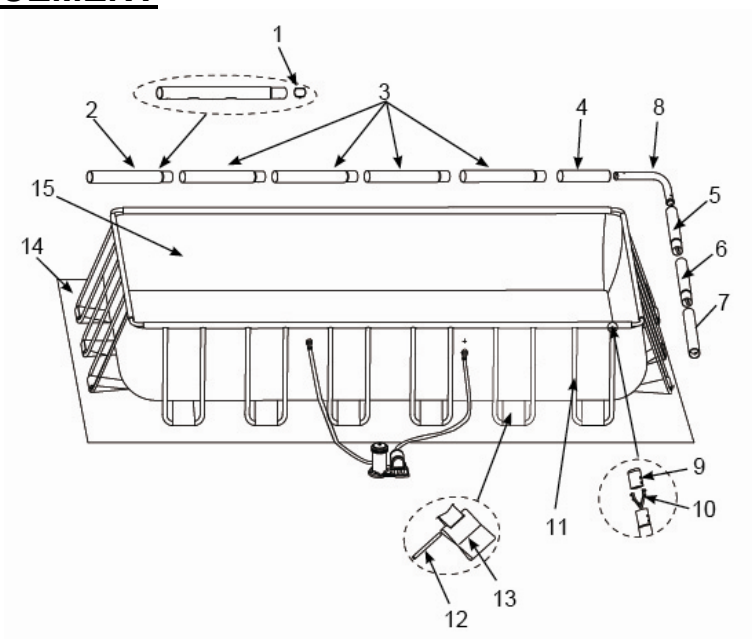
** ONLY AVAILABLE FOR COUNTRIES EXCEPT USA AND CANADA

10'X20'X52" METAL FRAME RECTANGULAR POOL-2013 DISCONTINUED PARTS REPLACEMENT



REF. NO.	SPARE PART NO.	DESCRIPTION	QTY	REMARK
1	10381	SINGLE BUTTON SPRING	10	
2	10873	HORIZONTAL BEAM (A)	2	SINGLE BUTTON SPRING INCLUDED
3	10373	HORIZONTAL BEAM (B)	6	SINGLE BUTTON SPRING INCLUDED
4	10874	HORIZONTAL BEAM (C)	2	
5	10774	HORIZONTAL BEAM (D)	2	SINGLE BUTTON SPRING INCLUDED
6	10775	HORIZONTAL BEAM (F)	2	
7	10736	CORNER JOINT	4	
8	10379	U-SUPPORT END CAP	28	
9	10382	DOUBLE BUTTON SPRING CLIP	28	
10	10778	U-SHAPED SIDE SUPPORT	14	U-SUPPORT END CAP & DOUBLE BUTTON SPRING CLIP INCLUDED
11	10383	CONNECTING ROD	14	
12	10377	RESTRAINER STRAP	14	
14	11315	POOL LINER	1	DRAIN VALVE CAP INCLUDED
15	10184	DRAIN CONNECTOR	1	
16	11044	DRAIN VALVE CAP	2	

ULTRA FRAME RECTANGULAR POOL PARTS REPLACEMENT



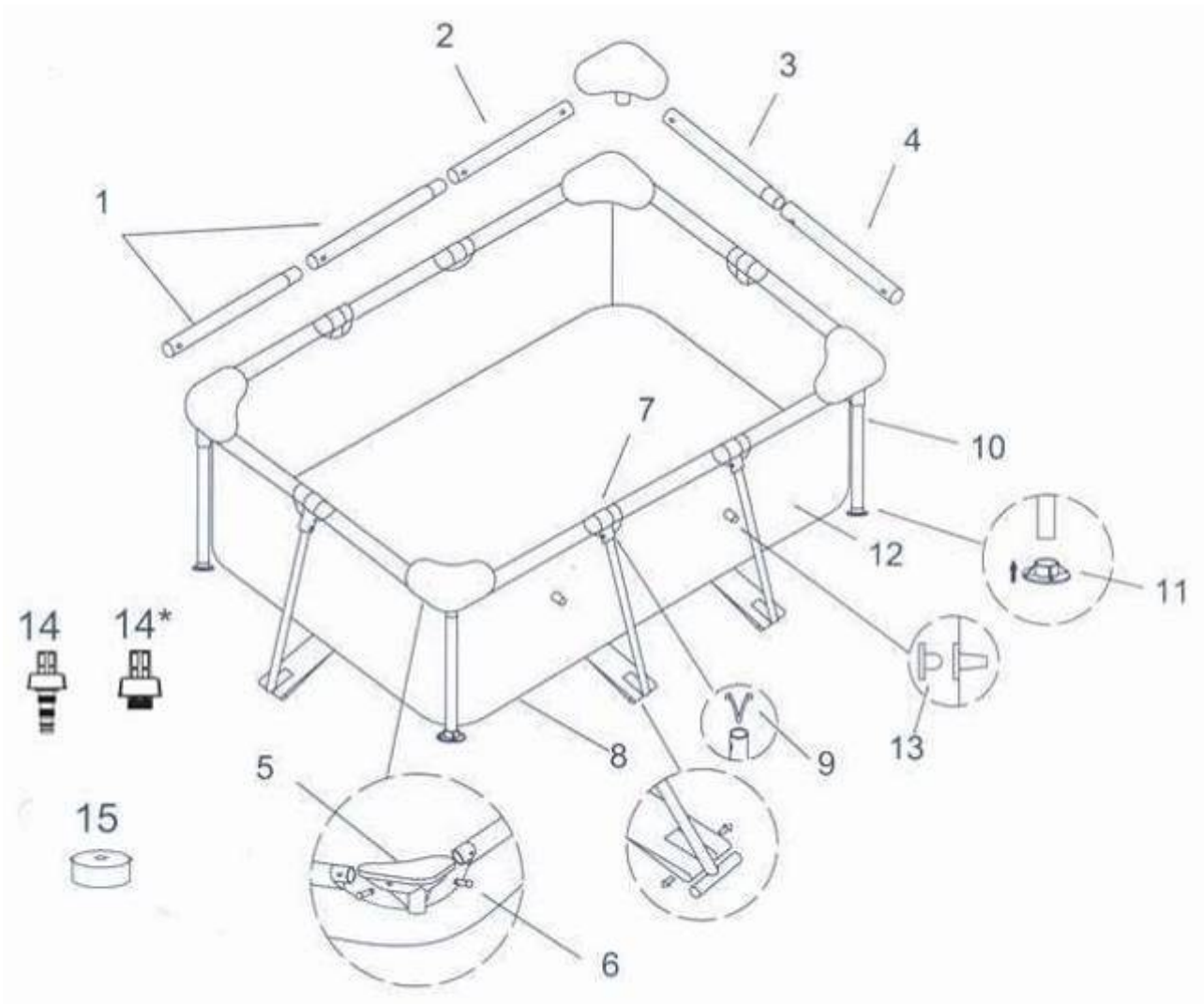
ULTRA FRAME RECTANGULAR POOL PARTS REPLACEMENT

REF. NO.	SPARE PART NO.	DESCRIPTION	POOL SIZE & QTY				
			9' X 15' X 48" (274x457x122cm)	9' X 18' X 52" (274x549x132cm)	12' X 24' X 52" (366x732x132cm)	16' X 32' X 52" (488x975x132cm)	13-1/8' X 6-1/2' X 39-3/8" (4M X 2M X1M)
1	10381	SINGLE BUTTON SPRING	8	8	14	20	
1	11664	SINGLE BUTTON SPRING					8
2	10919	HORIZONTAL BEAM (A)		2			
2	10920	HORIZONTAL BEAM (A)			2		
2	10921	HORIZONTAL BEAM (A)				2	
2	11524	HORIZONTAL BEAM (A)	2				
2	11665	HORIZONTAL BEAM (A)					2
3	10922	HORIZONTAL BEAM (B)		4			
3	10923	HORIZONTAL BEAM (B)			8		
3	10924	HORIZONTAL BEAM (B)				12	
3	11525	HORIZONTAL BEAM (B)	4				
3	11666	HORIZONTAL BEAM (B)					4
4	10925	HORIZONTAL BEAM (C)		2			
4	10926	HORIZONTAL BEAM (C)			2		
4	10927	HORIZONTAL BEAM (C)				2	
4	11526	HORIZONTAL BEAM (C)	2				
4	11667	HORIZONTAL BEAM (C)					2
5	10928	HORIZONTAL BEAM (D)	2	2		2	
5	10929	HORIZONTAL BEAM (D)			2		
5	11668	HORIZONTAL BEAM (D)					2
6	10930	HORIZONTAL BEAM (E)			2		
6	10931	HORIZONTAL BEAM (E)				4	
7	10932	HORIZONTAL BEAM (F)		2		2	
7	10933	HORIZONTAL BEAM (F)			2		
7	11669	HORIZONTAL BEAM (F)					2
8	10934	CORNER JOINT	4	4	4	4	
8	11670	CORNER JOINT					4
9	10935	U-SUPPORT END CAP	24	24	36	48	
9	11663	U-SUPPORT END CAP					24
10	10936	DOUBLE BUTTON SPRING CLIP	24	24	36	48	
10	10382	DOUBLE BUTTON SPRING CLIP					24
11	10937	U-SHAPED SIDE SUPPORT		12	18	24	
11	11523	U-SHAPED SIDE SUPPORT	12				
11	11671	U-SHAPED SIDE SUPPORT					12
12	10383	CONNECTING ROD	12	12	18	24	12
13	10938	RESTRAINER STRAP	12	12	18	24	12
15	10939	9' X 18' X 52" POOL LINER		1			
15	10940	12' X 24' X 52" POOL LINER			1		
15	10941	16' X 32' X 52" POOL LINER				1	
15	11520	9' X 15' X 48" POOL LINER	1				
15	11658	9' X 15' X 48" POOL LINER					1
*	10184	DRAIN CONNECTOR	1	1	1	1	1
**	10201	DRAIN CONNECTOR	1	1	1	1	1
	11044	DRAIN VALVE CAP	2	2	2	2	2
	10127	STRAINER HOLE PLUG					3

* ONLY AVAILABLE FOR USA AND CANADA

** ONLY AVAILABLE FOR COUNTRIES EXCEPT USA AND CANADA

FAMILY SIZE RECTANGULAR METAL FRAME POOL PARTS REPLACEMENT



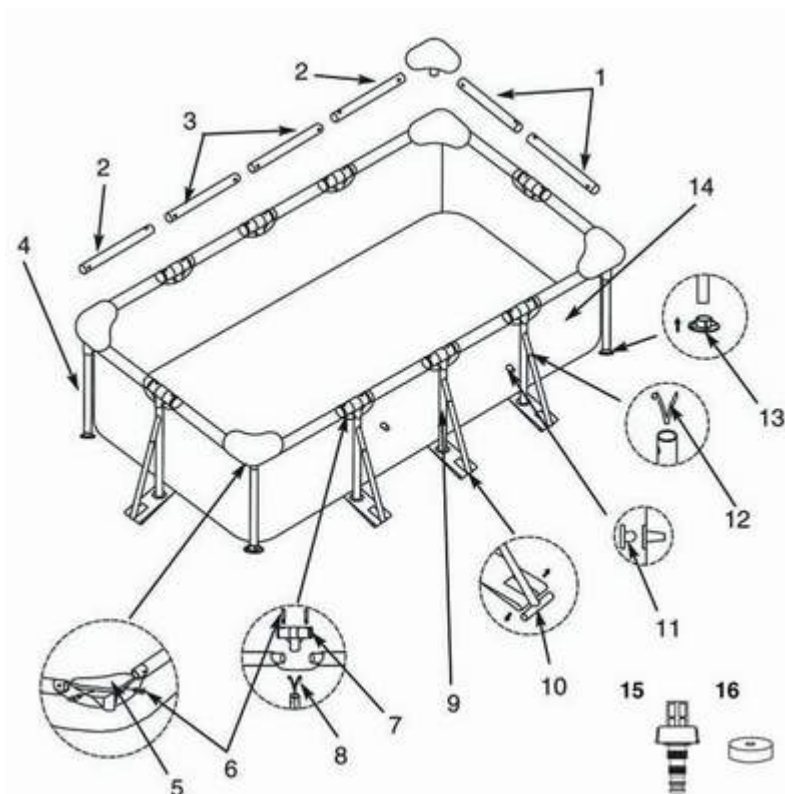
FAMILY SIZE RECTANGULAR METAL FRAME POOL PARTS REPLACEMENT

REF. NO.	SPARE PART NO.	DESCRIPTION	POOL SIZE & QUANTITY		
			86 ^{5/8"} X59 ^{5/8"} X23 ^{5/8"} (220X150X60cm)	102 ^{1/2"} X63 ^{5/8"} X25 ^{5/8"} (260X160X65cm)	118 ^{3/4"} X29 ^{1/2"} (300X200X75cm)
1	10947	HORIZONTAL BEAM (A)	4		
1	10948	HORIZONTAL BEAM (A)		4	
1	10949	HORIZONTAL BEAM (A)			4
2	10952	HORIZONTAL BEAM (B)	2		
2	10953	HORIZONTAL BEAM (B)		2	
2	10954	HORIZONTAL BEAM (B)			2
3	10947	HORIZONTAL BEAM (C)	2		
3	10958	HORIZONTAL BEAM (C)		2	
3	10959	HORIZONTAL BEAM (C)			2
4	10952	HORIZONTAL BEAM (D)	2		
4	10963	HORIZONTAL BEAM (D)		2	
4	10964	HORIZONTAL BEAM (D)			2
5	10573	CORNER JOINT (WITH CONCR SEAT)	4	4	4
6	10574	PIN(WITH 2 EXTRA)	10	10	10
7	10967	"T" JOINT	6	6	6
8	10968	"INVERTED T" SIDES SUPPORT LEG (SPRING PIN INCLUDED)	6		
8	10969	"INVERTED T" SIDES SUPPORT LEG (SPRING PIN INCLUDED)		6	
8	10970	"INVERTED T" SIDES SUPPORT LEG (SPRING PIN INCLUDED)			6
9	10313	SPRING PIN	6	6	6
10	10628	VERTICAL CORNER LEGS	4		
10	10557	VERTICAL CORNER LEGS		4	
10	10563	VERTICAL CORNER LEGS			4
11	10576	VERTICAL LEG END CAP	4	4	4
12	10942	LINER	1		
12	10943	LINER		1	
12	10944	LINER			1
13	10127	STRAINER HOLE PLUG (WITH 1 EXTRA)	3	3	3
14*	10184	DRAIN CONNECTOR	1	1	1
14**	10201	DRAIN CONNECTOR	1	1	1
15	10649	DRAIN VALVE CAP	1	1	1

* ONLY AVAILABLE FOR USA AND CANADA

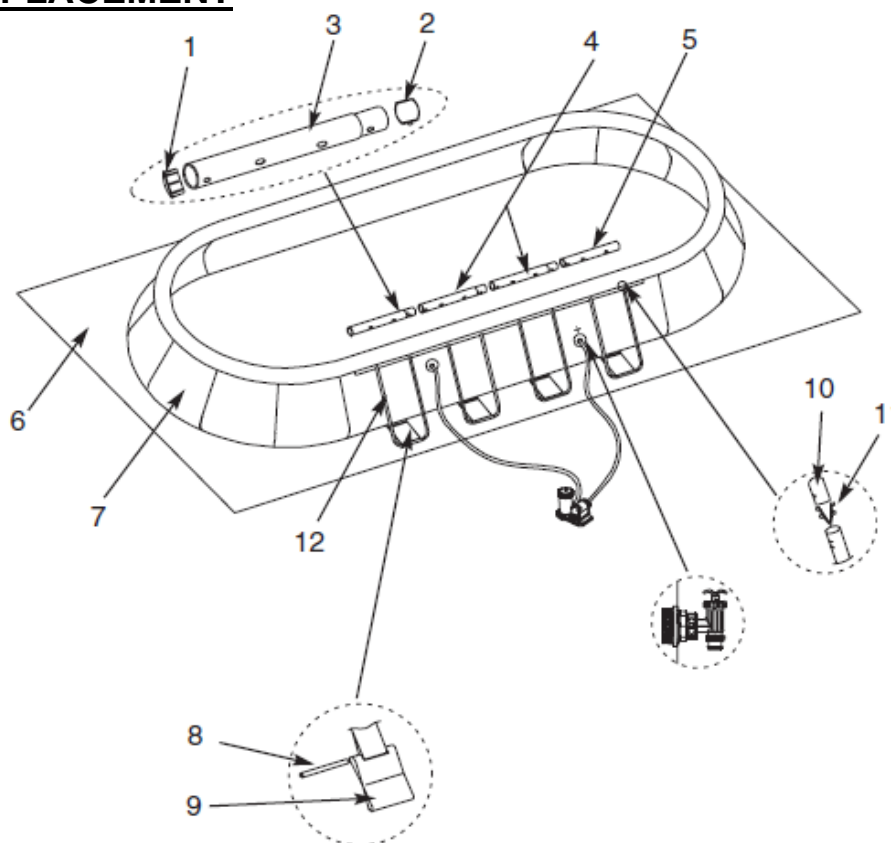
** ONLY AVAILABLE FOR COUNTRIES EXCEPT USA AND CANADA

58982 (450cm X 220cm X 84cm)
FAMILY SIZE RECTANGULAR METAL FRAME POOL
PARTS REPLACEMENT



REF. NO.	SPARE PART NO.	DESCRIPTION	POOL SIZE & QTY
			177 ^{1/4} " X 86 ^{5/8} " X 33" (450X220X84cm)
1	10566	HORIZONTAL BEAM (A)	4
2	10567	HORIZONTAL BEAM (B)	4
3	10568	HORIZONTAL BEAM (C)	4
4	10569	VERTICAL CORNER LEG	4
5	10573	CORNER JOINT	4
6	10574	PIN(WITH 2 EXTRA)	26
7	10575	"T" JOINT	8
8	10313	SPRING PIN	8
9	10570	"Y" JOINT VERTICAL LEG	8
10	10571	"INVERTED T" SIDE SUPPORT LEG	8
11	10127	STRAINER HOLE PLUG(WITH 1 EXTRA)	3
12	10577	SPRING PIN	8
13	10576	VERTICAL LEG END CAP	12
14	10580	POOL LINER(DRAIN VALVE CAP INCLUDED)	1
15	10201	DRAIN CONNECTOR	1
16	10649	DRAIN VALVE CAP	1

OVAL FRAME POOL PARTS REPLACEMENT



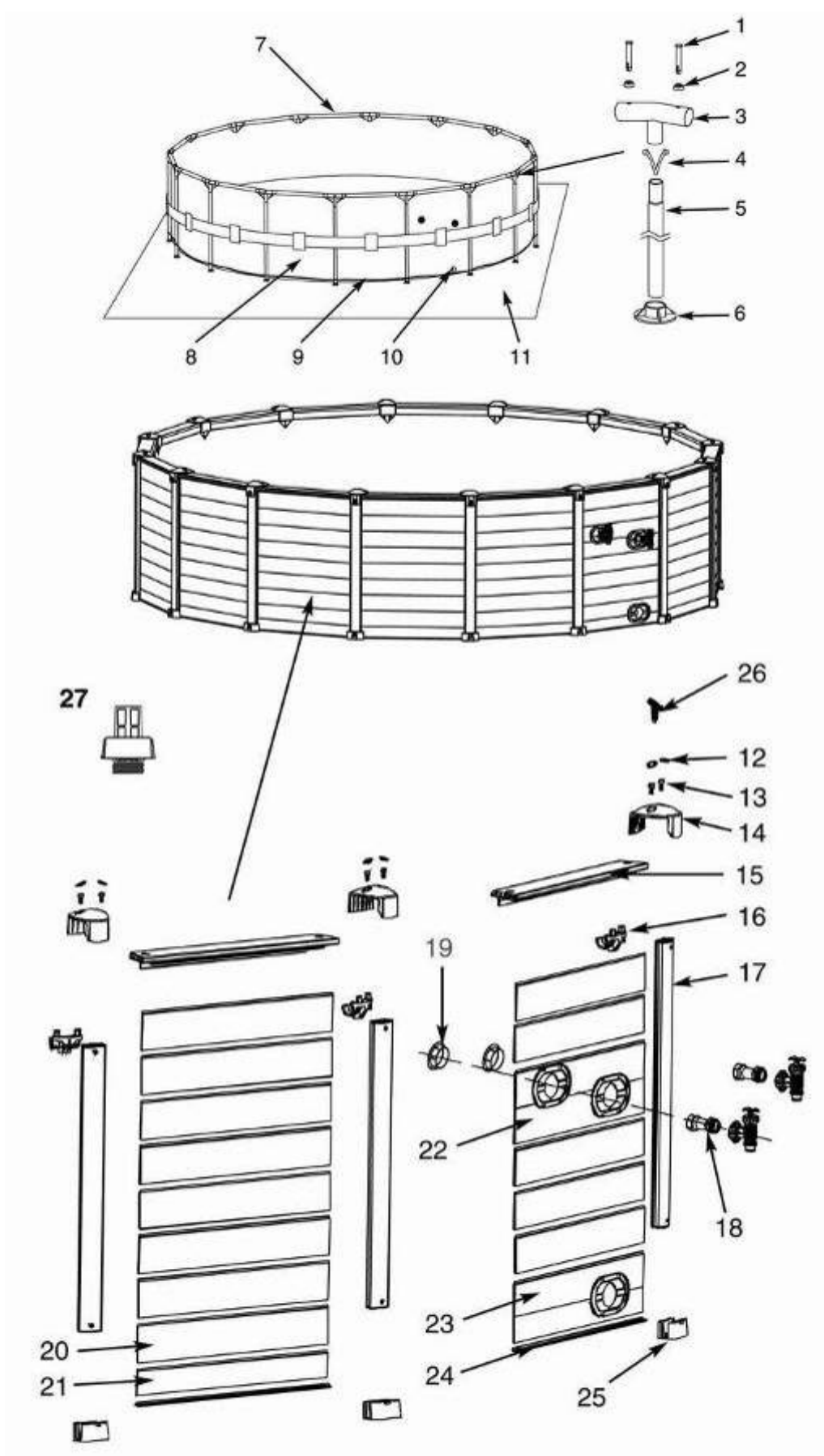
REF. NO.	SPARE PART NO.	DESCRIPTION	POOL SIZE & QTY			
			18' X 10' X 42" (549X305X107cm)	20' X 12' X 48" (610X366X122cm)	24' X 12' X 48" (732X366X122cm)	28' X 12' X 48" (853X366X122cm)
1	10380	BEAM END CAP	4	4	4	4
2	10381	SINGLE BUTTON SPRING	2	2	4	6
3	11099	HORIZONTAL BEAM (A)	2	2	2	2
4	11100	HORIZONTAL BEAM (B)			2	4
5	11101	HORIZONTAL BEAM (C)	2	2	2	2
7	10870	18' X 10' X 42" POOL LINER	1			
7	10768	20' X 12' X 48" POOL LINER		1		
7	10769	24' X 12' X 48" POOL LINER			1	
7	11014	28' X 12' X 48" POOL LINER				1
8	10383	CONNECTING ROD	4	4	6	8
9	10710	RESTRAINER STRAP	4	4	6	8
10	10379	U-SUPPORT END CAP	8	8	12	16
11	10382	DOUBLE BUTTON SPRING CLIP	8	8	12	16
12	10877	U-SHAPE SIDE SUPPORT	4			
12	10709	U-SHAPE SIDE SUPPORT		4	6	8
13*	10184	DRAIN CONNECTOR	1	1	1	1
13**	10201	DRAIN CONNECTOR	1	1	1	1
14	11044	DRAIN VALVE CAP	1	2	2	2

* ONLY AVAILABLE FOR USA AND CANADA

** ONLY AVAILABLE FOR COUNTRIES EXCEPT USA AND CANADA

REMARK: POOL LINERS INCLUDE DRAIN VALVE CAP. 24' X 12' X 48" / 28' X 12' X 48" POOLS WERE DISCONTINUED SINCE 2010 SEASON.

WOOD-GRAIN ABOVE GROUND POOL PARTS REPLACEMENT



WOOD-GRAIN ABOVE GROUND POOL PARTS REPLACEMENT

REF. NO.	SPARE PART NO.	DESCRIPTION	POOL SIZE & QTY		
			15'8" X 49" (478 X 124cm)	16'8" X 49" (508 X 124cm)	18'8" X 53" (569 X 135cm)
1	10312	PIN (WITH 2 EXTRA)	32	34	38
2	10648	SEAL (WITH 2 EXTRA)	32	34	38
3	10861	T - JOINT	15	16	
3	10862	T - JOINT			18
4	10313	SPRING PIN	15	16	18
5	10864	VERTICAL LEG	15	16	
5	10865	VERTICAL LEG			18
6	10309	LEG CAP	15	16	18
7	10414	HORIZONTAL BEAM	15	16	18
8	11490	15'8" X 49" POOL LINER	1		
8	11015	16'8" X 49" POOL LINER		1	
8	11110	18'8" X 53" POOL LINER			1
9	10587	RESTRAINING ROPE	1		
9	10317	RESTRAINING ROPE		1	1
10	11044	DRAIN VALVE CAP	1	1	1
12	11102	WATERPROOF CAP (WITH 4 EXTRA)	34	36	40
13	11024	BOLT (WITH 4 EXTRA)	34	36	40
14	11177	TOP CLAMP COVER	15	16	18
15	11174	TOP BOARD	15	16	18
16	11017	TOP CLAMP	15	16	18
17	11175	SUPPORT POST	15	16	
17	11176	SUPPORT POST			18
18	11040	PLUNGER VALVE CONNECTOR	2	2	2
19	11240	STRAINER VALVE CAP	2	2	2
20	11105	SIDE BOARD A	116	124	141
21	11021	SIDE BOARD B	0	0	17
22	11107	SIDE BOARD COMBINATION WITH TWO HOLES	1	1	
23	11108	SIDE BOARD COMBINATION WITH ONE HOLE	1	1	
23	11109	SIDE BOARD COMBINATION WITH ONE HOLE			1
24	11019	BOTTOM RAIL	15	16	18
25	11178	BOTTOM CAP	15	16	18
26	11053	BOLT WRENCH	2	2	2
27*	10184	DRAIN CONNECTOR	1	1	1
27**	10201	DRAIN CONNECTOR	1	1	1

* ONLY AVAILABLE FOR USA AND CANADA

** ONLY AVAILABLE FOR COUNTRIES EXCEPT USA AND CANADA

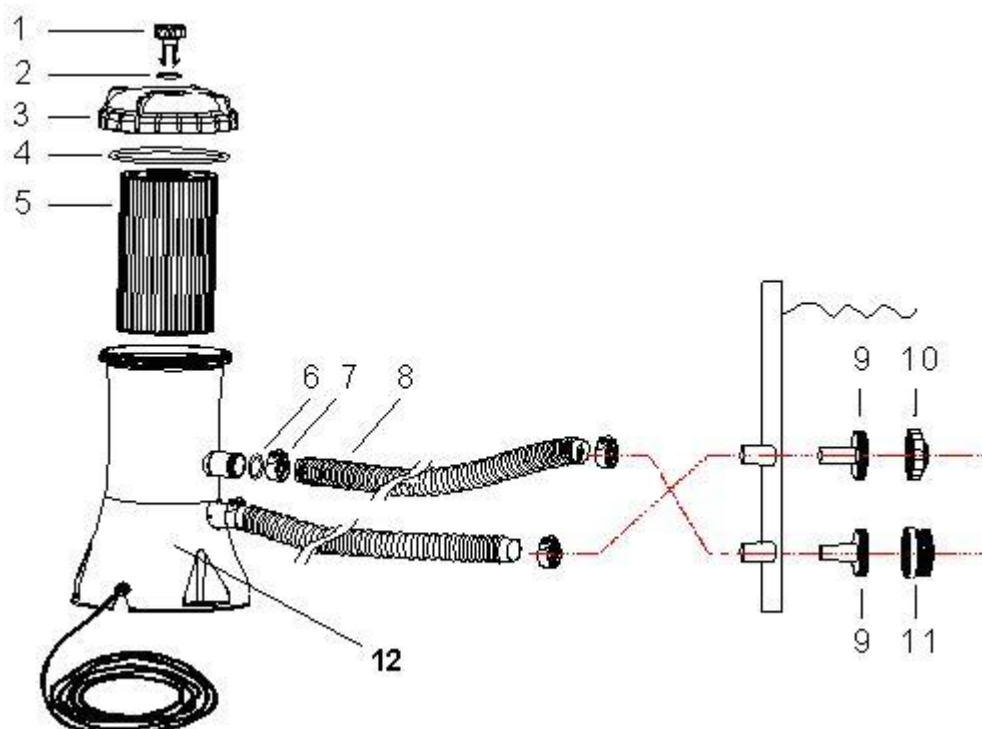
REMARK: POOL LINERS INCLUDE DRAIN VALVE CAP. 16' WOOD GRAIN POOL DISCONTINUED IN 2012 SEASON.

FILTER PUMP PARTS LIST



MODEL: 603 (58603/58603EG) / 604 (58604)

PARTS REPLACEMENT

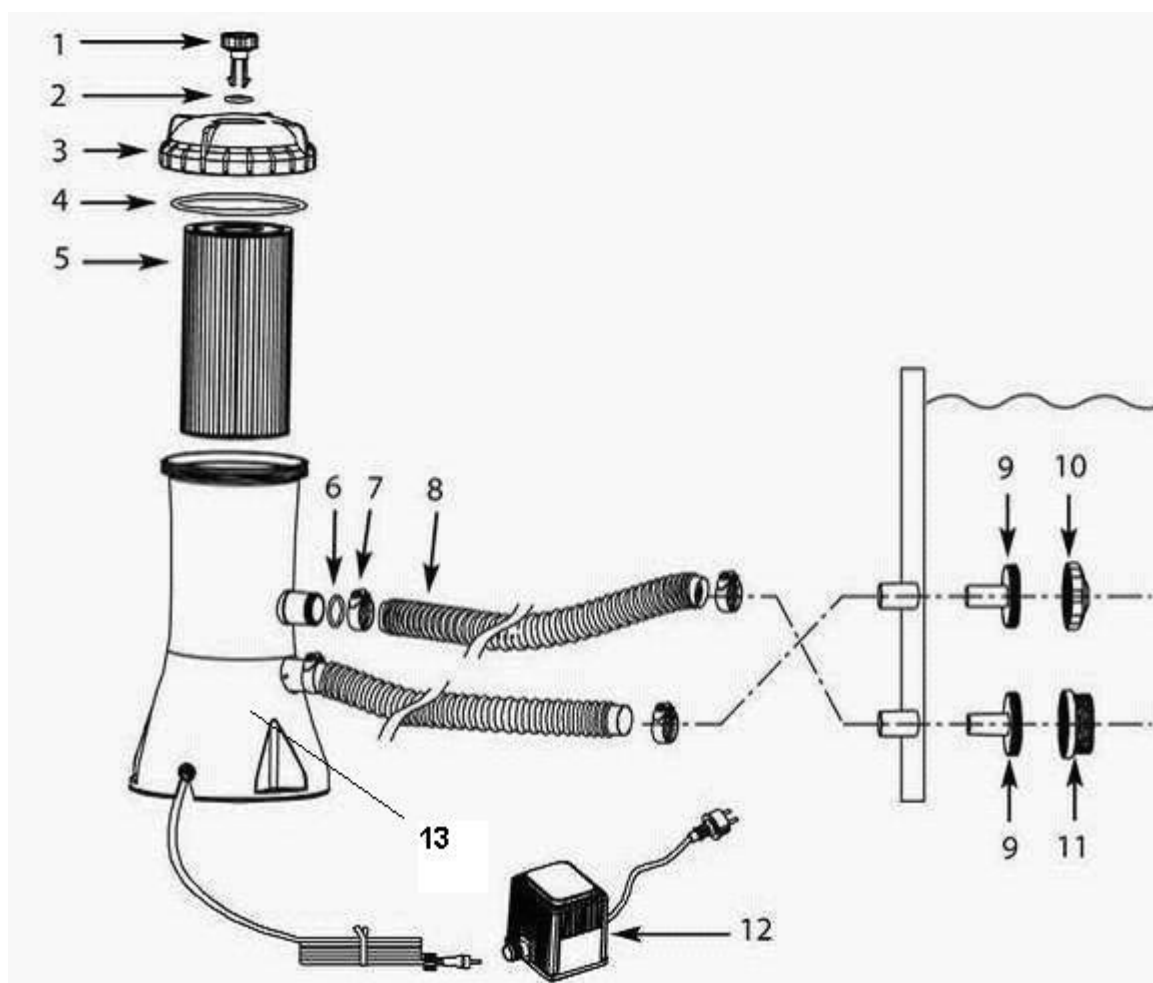


REF. NO.	SPARE PART NO.	DESCRIPTION	QTY	REMARK
1	10460	AIR RELEASE VALVE	1	
2	10264	VALVE O-RING	1	
3	10459	THREADED COVER	1	
4	10325	COVER SEAL	1	
5	18600E	FILTER CARTRIDGE 59900	1	
6	10134	HOSE SEAL	2	
7*	10122	HOSE CLAMP	4	
7**	11489	HOSE CLAMP	4	
8	10116	1.5m X DIA 1-1/4" HOSE	2	FOR COUNTRIES EXCEPT FRANCE
8	10399	3.0m X DIA 1-1/4" HOSE	2	FOR FRANCE ONLY
9	11070	STRAINER CONNECTOR	2	
10	11071	POOL INLET NOZZLE	1	
11	11072	STRAINER GRID	1	
*	10447	#57 MANUAL	1	
**	10448	#58 MANUAL	1	
12*	11467EG	530 GAL FILTER PUMP HOUSING & MOTOR (120V)	1	
12**	11468	530 GAL FILTER PUMP HOUSING & MOTOR (230V)	1	

* ONLY AVAILABLE FOR MODEL 603

** ONLY AVAILABLE FOR MODEL 604

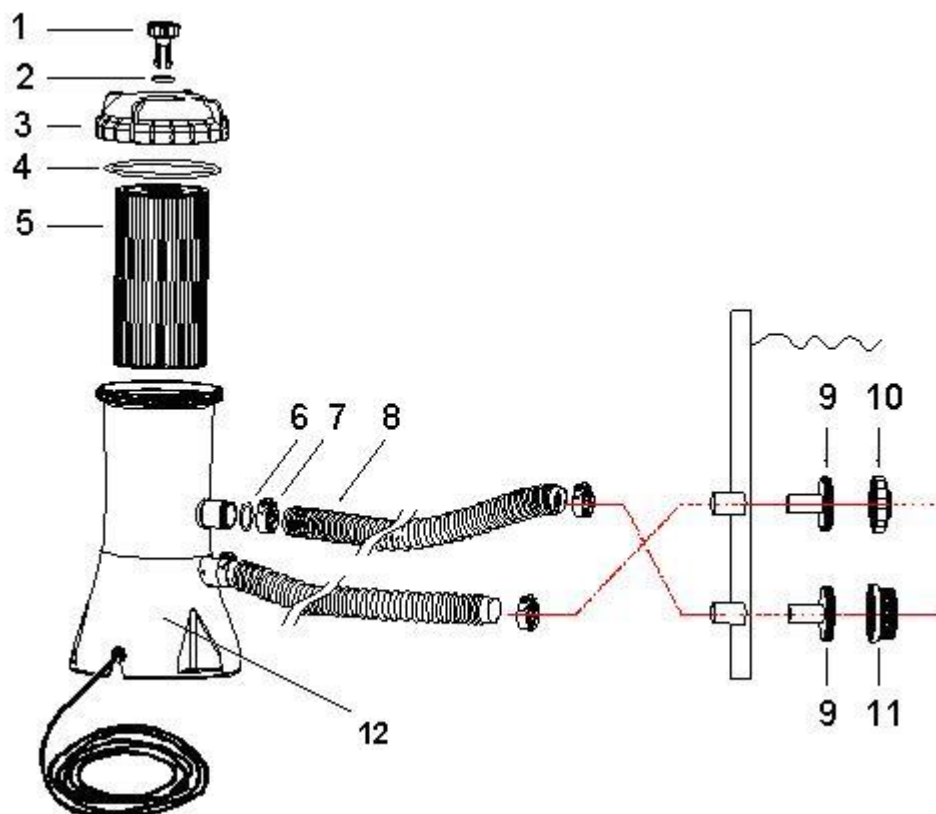
MODEL: 604G (58604GS) PARTS REPLACEMENT



REF. NO.	SPARE PART NO.	DESCRIPTION	QTY	REMARK
1	10460	AIR RELEASE VALVE	1	
2	10264	VALVE O-RING	1	
3	10459	THREADED COVER	1	
4	10325	COVER SEAL	1	
5	18600E	FILTER CARTRIDGE 59900	1	
6	10134	HOSE SEAL	2	
7	10122	HOSE CLAMP	4	
8	10116	1.5m X DIA 1-1/4" HOSE	2	
9	11070	STRAINER CONNECTOR	2	
10	11071	POOL INLET NOZZLE	1	
11	11072	STRAINER GRID	1	
12	11649	TRANSFORMER	1	
13	11642GS	530 GAL FILTER PUMP HOUSING & MOTOR(230V)	1	
13*	11642NL	530 GAL FILTER PUMP HOUSING & MOTOR(230V)	1	

* ONLY AVAILABLE FOR 58604NL

MODEL: 637R (56637/56637EG) / 638R (56638)
PARTS REPLACEMENT

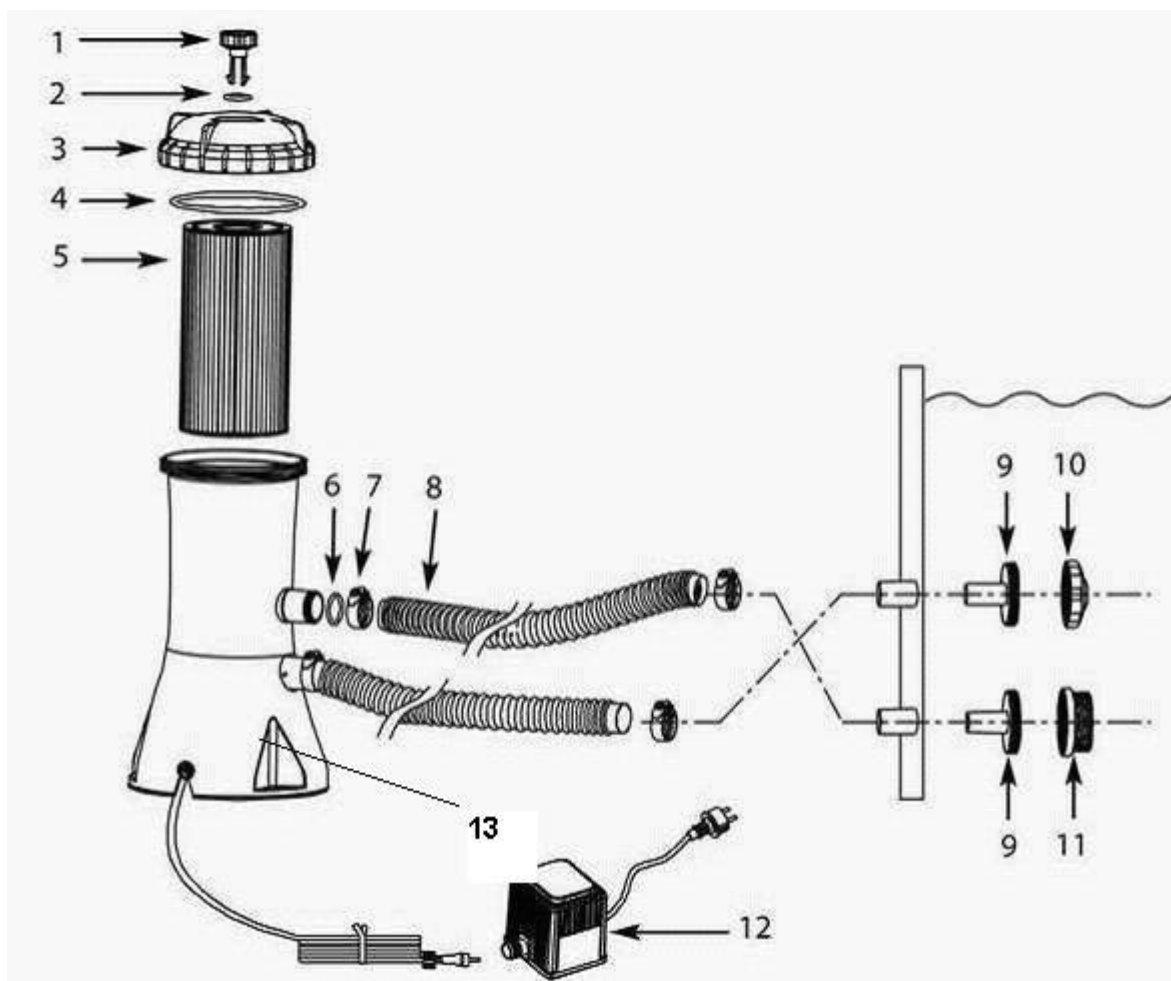


REF. NO.	SPARE PART NO.	DESCRIPTION	QTY	REMARK
1	10460	AIR RELEASE VALVE	1	
2	10264	VALVE O-RING	1	
3	10459	THREADED COVER	1	
4	10325	COVER SEAL	1	
5	18600E	FILTER CARTRIDGE 59900	1	
6	10134	HOSE SEAL	2	
7	10122	HOSE CLAMP	4	
8	10116	1.5m X DIA 1-1/4" HOSE	2	FOR COUNTRIES EXCEPT FRANCE
8	10399	3m X DIA 1-1/4" HOSE	2	FOR FRANCE ONLY
9	11070	STRAINER CONNECTOR	2	
10	11071	POOL INLET NOZZLE	1	
11	11072	STRAINER GRID	1	
*	11007	#105 MANUAL	1	
**	11008	#106 MANUAL	1	
12*	11469EG	1000 GAL FILTER PUMP HOUSING & MOTOR (120V)	1	
12**	11470	1000 GAL FILTER PUMP HOUSING & MOTOR (230V)	1	

* ONLY AVAILABLE FOR MODEL 637R

** ONLY AVAILABLE FOR MODEL 638R

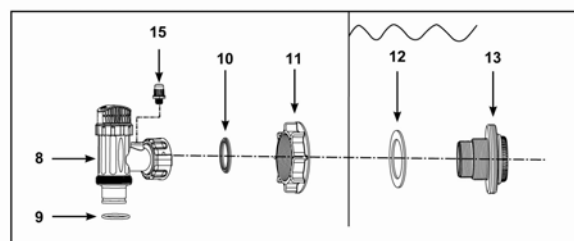
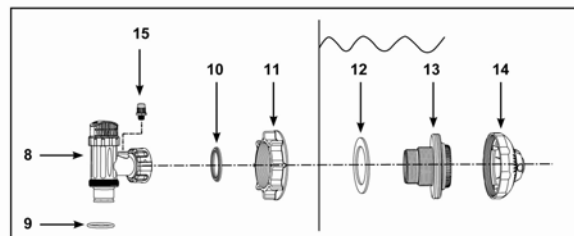
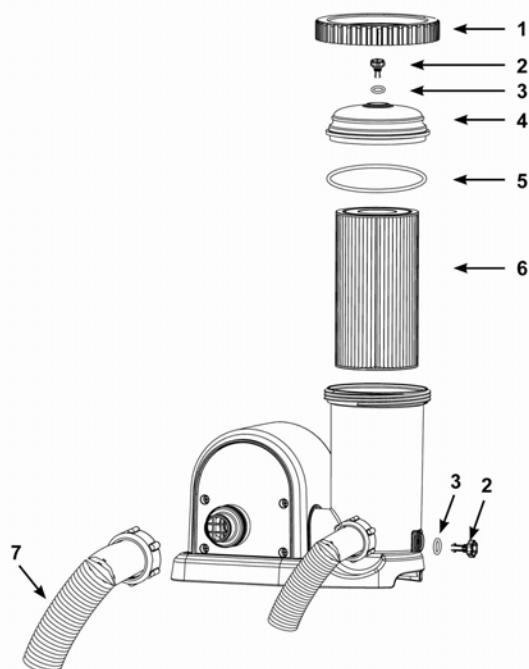
MODEL: 638G (56638GS/56638NL)
PARTS REPLACEMENT



REF. NO.	SPARE PART NO.	DESCRIPTION	QTY	REMARK
1	10460	AIR RELEASE VALVE	1	
2	10264	VALVE O-RING	1	
3	10459	THREADED COVER	1	
4	10325	COVER SEAL	1	
5	18600E	FILTER CARTRIDGE 59900	1	
6	10134	HOSE SEAL	2	
7	10122	HOSE CLAMP	4	
8	10116	1.5m X DIA 1-1/4" HOSE	2	
9	11070	STRAINER CONNECTOR	2	
10	11071	POOL INLET NOZZLE	1	
11	11072	STRAINER GRID	1	
12	11648	TRANSFORMER	1	
13	11622GS	1000 GAL FILTER PUMP HOUSING & MOTOR (230V)	1	
13*	11622NL	1000 GAL FILTER PUMP HOUSING & MOTOR (230V)	1	

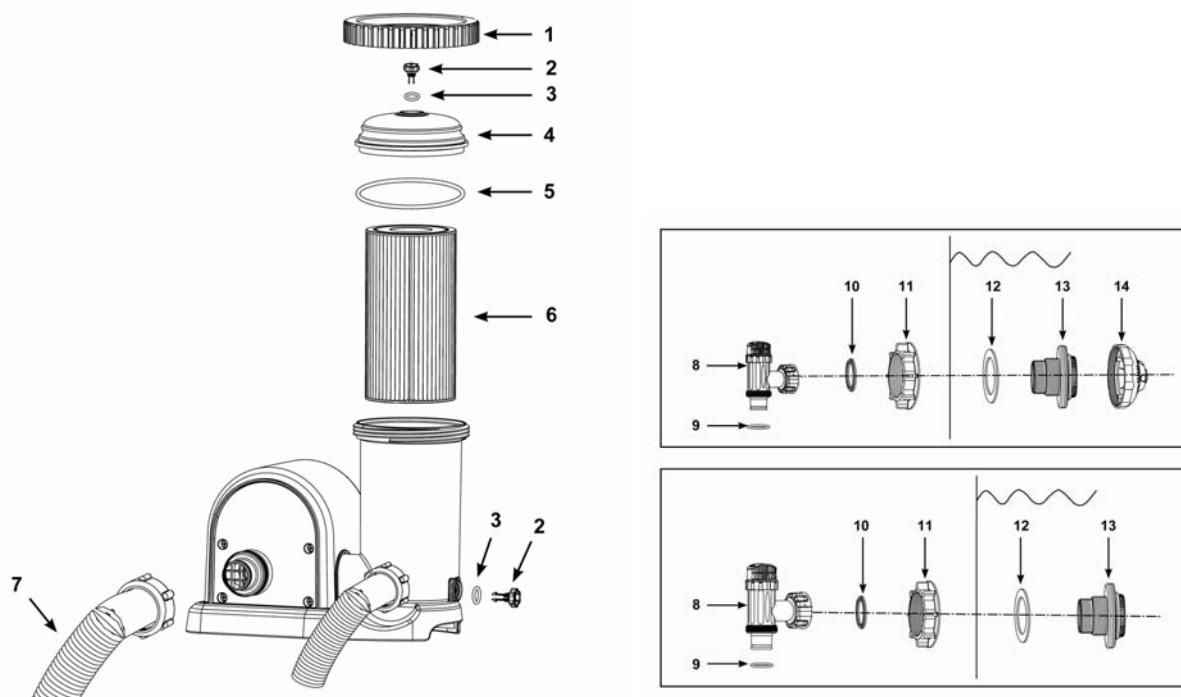
* ONLY AVAILABLE FOR 56638NL

MODEL: 635T (56635/56635EG) PARTS REPLACEMENT



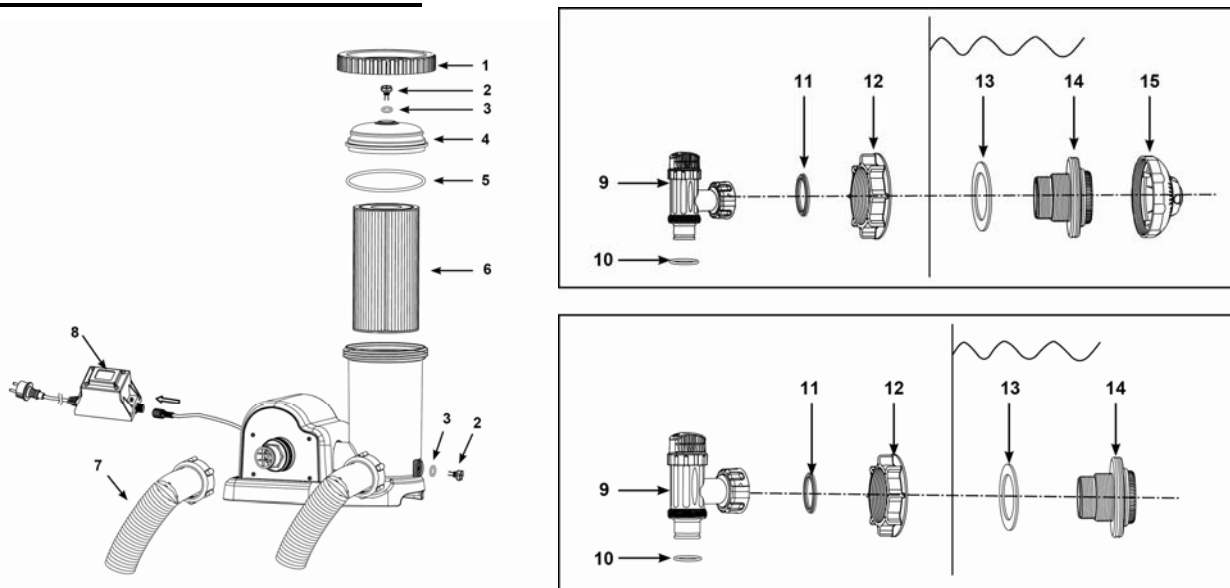
REF. NO.	SPARE PART NO.	DESCRIPTION	QTY	REMARK
1	10749	THREADED FILTER HOUSING COLLAR	1	
2	10460	AIR RELEASE VALVE/ SEDIMENT RELEASE VALVE	2	
3	10264	VALVE O-RING	2	
4	10750	FILTER HOUSING COVER	1	
5	10325	FILTER HOUSING O-RING	1	
6	59900	FILTER CARTRIDGE (59900)	1	
7	10493	1.5M X DIA 1-1/2" PUMP HOSE WITH NUTS	2	
8	10747E	PLUNGER VALVE	2	HOSE O-RING, STEP WASHER, VACUUM RELEASE VALVE, VACUUM RELEASE VALVE CAP INCLUDED
9	10262	HOSE O-RING	2	
10	10745	STEP WASHER	2	
11	10256	STRAINER NUT	2	
12	10255	FLAT STRAINER RUBBER WASHER	2	
13	11235	THREADED STRAINER CONNECTOR	2	
14	11074	ADJUSTABLE POOL INLET NOZZLE	1	
15	11437	VACUUM RELEASE VALVE	1	
	11576	VACUUM RELEASE VALVE CAP	1	
	11471EG	1500 GAL FILTER PUMP HOUSING & MOTOR (120V)	1	
	11623	#107 MANUAL	1	

MODEL: 636T (56636) PARTS REPLACEMENT



REF. NO.	SPARE PART NO.	DESCRIPTION	QTY	REMARK
1	10749	THREADED FILTER HOUSING COLLAR	1	
2	10460	AIR RELEASE VALVE/ SEDIMENT RELEASE VALVE	2	
3	10264	VALVE O-RING	2	
4	10750	FILTER HOUSING COVER	1	
5	10325	FILTER HOUSING O-RING	1	
6	18600E	FILTER CARTRIDGE (59900)	1	
7	10493	1.5M X DIA 1-1/2" PUMP HOSE WITH NUTS	2	FOR COUNTRIES EXCEPT FRANCE
7	10494	3M X DIA 1-1/2" PUMP HOSE WITH NUTS	2	FOR FRANCE ONLY
8	10747	PLUNGER VALVE (HOSE O-RING & STEP WASHER INCLUDED)	2	
9	10262	HOSE O-RING	2	
10	10745	STEP WASHER	2	
11	10256	STRAINER NUT	2	
12	10255	FLAT STRAINER RUBBER WASHER	2	
13	11235	THREADED STRAINER CONNECTOR	2	
14	11074	ADJUSTABLE POOL INLET NOZZLE	1	
	11624	#108 MANUAL	1	
*	11472	1500 GAL FILTER PUMP HOUSING & MOTOR (230V)	1	

MODEL: 636G (56636GS/56636NL) PARTS REPLACEMENT

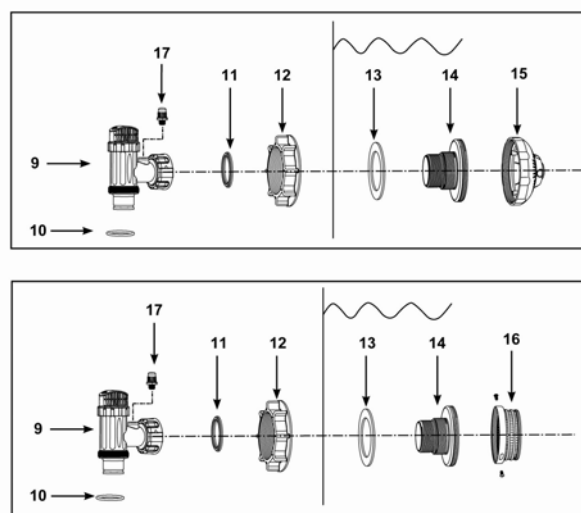
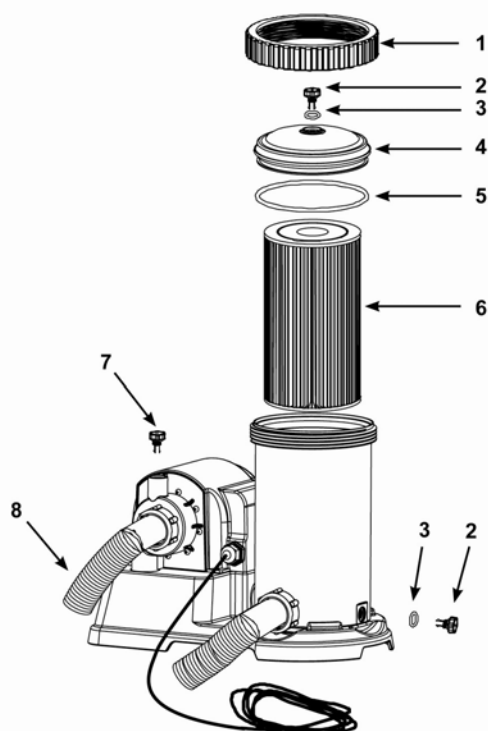


REF. NO.	SPARE PART NO.	DESCRIPTION	QTY	REMARK
1	10749	THREADED FILTER HOUSING COLLAR	1	
2	10460	AIR RELEASE VALVE/ SEDIMENT RELEASE VALVE	2	
3	10264	VALVE O-RING	2	
4	10750	FILTER HOUSING COVER	1	
5	10325	FILTER HOUSING O-RING	1	
6	18600E	FILTER CARTRIDGE (59900)	1	
7	10493	1.5M X DIA 1-1/2" PUMP HOSE WITH NUTS	2	
8	10985	TRANSFORMER		
9	10747	PLUNGER VALVE (HOSE O-RING & STEP WASHER INCLUDED)	2	
10	10262	HOSE O-RING	2	
11	10745	STEP WASHER	2	
12	10256	STRAINER NUT	2	
13	10255	FLAT STRAINER RUBBER WASHER	2	
14	11235	THREADED STRAINER CONNECTOR	2	
15	11074	ADJUSTABLE POOL INLET NOZZLE	1	
*	11472GS	1500 GAL FILTER PUMP HOUSING & MOTOR (230V)	1	
**	11472NL	1500 GAL FILTER PUMP HOUSING & MOTOR (230V)	1	

* ONLY AVAILABLE FOR 56636GS

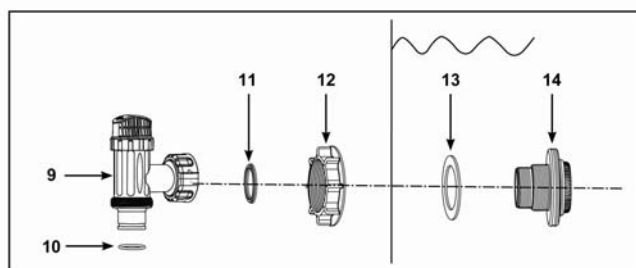
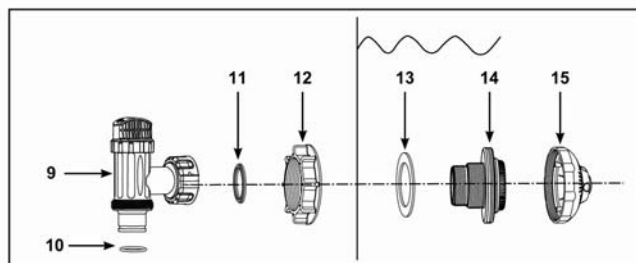
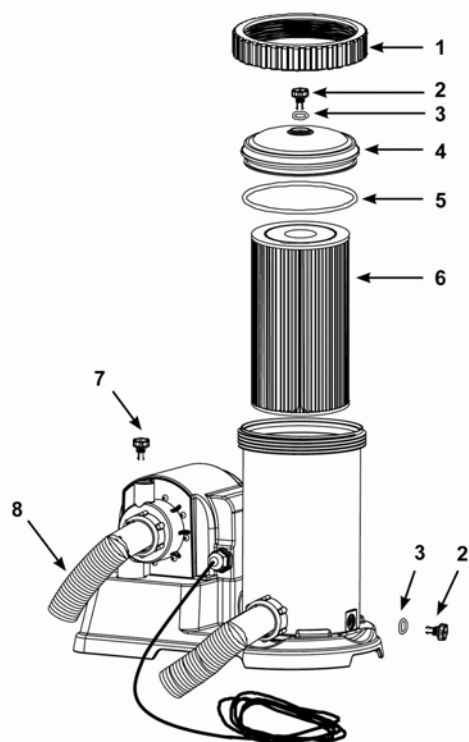
** ONLY AVAILABLE FOR 56636NL

MODEL: 633T (56633/56633EG) PARTS REPLACEMENT



REF. NO.	SPARE PART NO.	DESCRIPTION	QTY	REMARK
1	10491	THREADED FILTER HOUSING COLLAR	1	
2	10460	AIR RELEASE VALVE /SEDIMENT RELEASE VALVE	2	
3	10264	VALVE O-RING	2	
4	10490	FILTER HOUSING COVER	1	
5	11330	FILTER HOUSING O-RING	1	
6	18905E	FILTER CARTRIDGE (59905)	1	
7	10725	AIR RELEASE VALVE B (WITH O-RING)	1	
8	11009	1.5M X DIA 1-1/2" PUMP HOSE WITH NUTS	2	
9	10747E	PLUNGER VALVE	2	HOSE O-RING, STEP WASHER, VACUUM RELEASE VALVE, VACUUM RELEASE VALVE CAP INCLUDED
10	10262	HOSE O-RING	2	
11	10745	STEP WASHER	2	
12	10256	STRAINER NUT	2	
13	10255	FLAT STRAINER RUBBER WASHER	2	
14	10744	THREADED STRAINER CONNECTOR	2	
15	11074	ADJUSTABLE POOL INLET NOZZLE	1	
16	10253	STRAINER GRID	1	
17	11437	VACUUM RELEASE VALVE	1	
	11576	VACUUM RELEASE VALVE CAP	1	
	11625	#109 MANUAL		
	11473EG	2500 GAL FILTER PUMP HOUSING & MOTOR (120V)	1	
	10712	O-RING A (LOCATED ON MOTOR INLET)	2	

MODEL: 634T (56634) / 634RC (56634NL)
PARTS REPLACEMENT



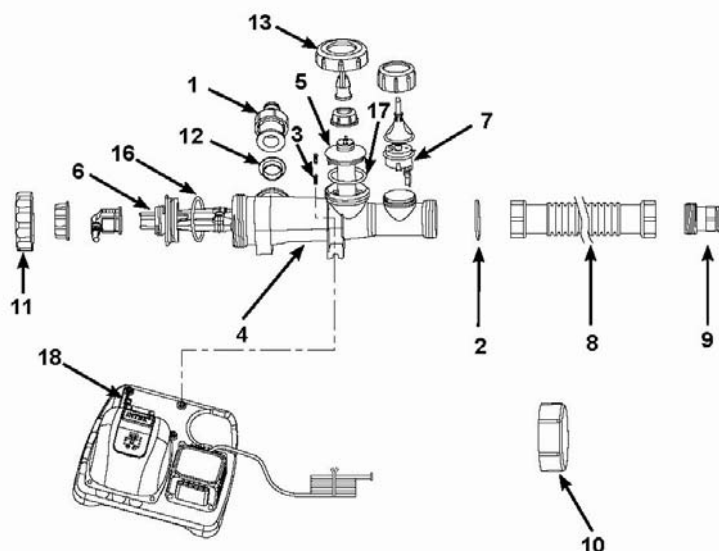
REF. NO.	SPARE PART NO.	DESCRIPTION	QTY	REMARK
1	10491	THREADED FILTER HOUSING COLLAR	1	
2	10460	AIR RELEASE VALVE /SEDIMENT RELEASE VALVE	2	
3	10264	VALVE O-RING	2	
4	10490	FILTER HOUSING COVER	1	
5	11330	FILTER HOUSING O-RING	1	
6	59905	FILTER CARTRIDGE (59905)	1	
7	10725	AIR RELEASE VALVE B (WITH O-RING)	1	
8	11010	3M X DIA 1-1/2" PUMP HOSE WITH NUTS	2	
9	10747	PLUNGER VALVE (HOSE O-RING & STEP WASHER INCLUDED)	2	
10	10262	HOSE O-RING	2	
11	10745	STEP WASHER	2	
12	10256	STRAINER NUT	2	
13	10255	FLAT STRAINER RUBBER WASHER	2	
14	11235	THREADED STRAINER CONNECTOR	2	
15	11074	ADJUSTABLE POOL INLET NOZZLE	1	
	11626	#110 MANUAL		
	11474	2500 GAL FILTER PUMP HOUSING & MOTOR (230V)	1	
*	11474NL	2500 GAL FILTER PUMP HOUSING & MOTOR (230V)	1	
	10712	O-RING A (LOCATED ON MOTOR INLET)	2	

* ONLY AVAILABLE FOR MODEL 634RC

KRYSTAL CLEAR™ SALTWATER SYSTEMS PARTS LIST



MODEL: CS8110 (54601/54601EG) & CS8220/CS8230 (54602)
PARTS REPLACEMENT- 2013 CHANGED

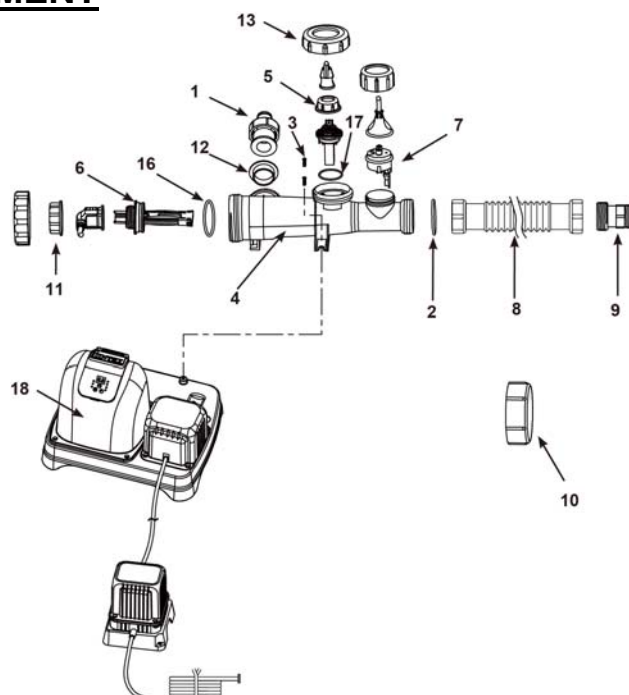


REF. NO.		SPARE PART NO.	DESCRIPTION	QTY	Remark
COMMON	FOR CONNECTION TO FILTER PUMPS WITH 1-1/4" (32MM) HOSE SIZE				
	1	10849	ADAPTOR A WITH THREADED COLLAR	1	OPTIONAL
2		10712	O-RING A	1	
3		11519	SCREW	2	
4		11433	ELECTROLYTIC CELL HOUSING	1	O-RING A INCLUDED
5		11234	COPPER ELECTRODE	1	
6		11374	TITANIUM ELECTRODE	1	
7		11460	FLOW SENSOR	1	
8		10720	CONNECTOR HOSE WITH THREADED FITTINGS	1	
	9	10722	THREADED ADAPTOR B	1	OPTIONAL
10		11131	CELL COVER	2	
11		11432	ELECTROLYTIC CELL NUT	1	
12		11228	L-SHAPED O-RING	1	
13		11488	COPPER ELECTRODE NUT	1	
14		19635	CHLORINE TEST STRIPS	1	
15		11254	COPPER TEST STRIPS	1	
16		11515	TITANIUM ELECTRODE O-RING	1	
17		11440	COPPER ELECTRODE O-RING	1	
*		11277	#131 MANUAL FOR 54601	1	
**		11278	#132 MANUAL FOR 54602	1	
18*		11679EG	CONTROL STATION FOR 54601	1	2013 NEW
18**		11680	CONTROL STATION FOR 54602	1	2013 NEW

* ONLY AVAILABLE FOR MODEL CS8110

** ONLY AVAILABLE FOR MODEL CS8220/CS8230

MODEL: CS8220G (54602GS/54602NL) – 2013 CHANGED PARTS REPLACEMENT

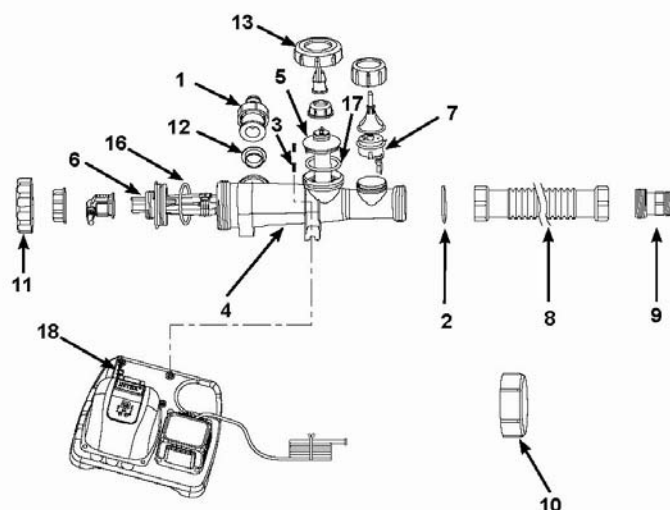


REF. NO.		SPARE PART NO.	DESCRIPTION	QTY	Remark
COMMON	FOR CONNECTION TO FILTER PUMPS WITH 1-1/4" (32MM) HOSE SIZE				
	1	10849	ADAPTOR A WITH THREADED COLLAR	1	OPTIONAL
	2	10712	O-RING A	1	
	3	11519	SCREW	2	
	4	11433	ELECTROLYTIC CELL HOUSING	1	O-RING A INCLUDED
	5	11234	COPPER ELECTRODE	1	
	6	11374	TITANIUM ELECTRODE	1	
	7	11460	FLOW SENSOR	1	2012 CHANGE
	8	10720	CONNECTOR HOSE WITH THREADED FITTINGS	1	
	9	10722	THREADED ADAPTOR B	1	OPTIONAL
	10	11131	CELL COVER	2	
	11	11432	ELECTROLYTIC CELL NUT	1	
	12	11228	L-SHAPED O-RING	1	
	13	11488	COPPER ELECTRODE NUT	1	
	14	19635	CHLORINE TEST STRIPS	1	
	15	11254	COPPER TEST STRIPS	1	
	16	11515	TITANIUM ELECTRODE O-RING	1	
	17	11440	COPPER ELECTRODE O-RING	1	
*	*18	11679GS	CONTROL STATION FOR 54602GS	1	2013 NEW
**	**18	11680NL	CONTROL STATION FOR 54602NL	1	2013 NEW

* ONLY AVAILABLE FOR MODEL 54602GS

** ONLY AVAILABLE FOR MODEL 54602NL

MODEL: CS7110 (54605/54605EG) & CS7220/CS7230 (54606) PARTS REPLACEMENT

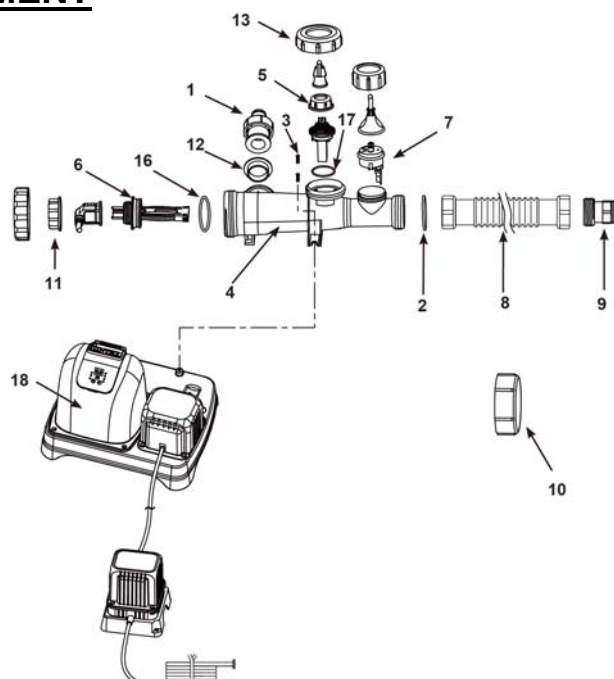


REF. NO.		SPARE PART NO.	DESCRIPTION	QTY	Remark
COMMON	FOR CONNECTION TO FILTER PUMPS WITH 1-1/4" (32MM) HOSE SIZE				
	1	10849	ADAPTOR A WITH THREADED COLLAR	1	OPTIONAL
2		10712	O-RING A	1	
3		11519	SCREW	2	
4		11577	ELECTROLYTIC CELL HOUSING	1	O-RING C INCLUDED
5		11579	COPPER ELECTRODE	1	
6		11581	TITANIUM ELECTRODE	1	
7		11460	FLOW SENSOR	1	2012 CHANGE
8		10720	CONNECTOR HOSE WITH THREADED FITTINGS	1	
	9	10722	THREADED ADAPTOR B	1	OPTIONAL
10		11131	CELL COVER	2	
11		11582	ELECTROLYTIC CELL NUT	1	
12		11228	L-SHAPED O-RING	1	
13		11580	COPPER ELECTRODE NUT	1	
14		19635	CHLORINE TEST STRIPS	1	
15		11254	COPPER TEST STRIPS	1	
16		11585	TITANIUM ELECTRODE O-RING	1	
17		11586	COPPER ELECTRODE O-RING	1	
*		11659	#188PO MANUAL FOR 54605	1	
**		11660	#188IO MANUAL FOR 54606	1	
18*		11589EG	CONTROL STATION FOR 54605	1	
18**		11591	CONTROL STATION FOR 54606	1	

* ONLY AVAILABLE FOR MODEL CS7110

** ONLY AVAILABLE FOR MODEL CS7220/CS7230

MODEL: CS7220G (54606GS/ 54606NL) PARTS REPLACEMENT



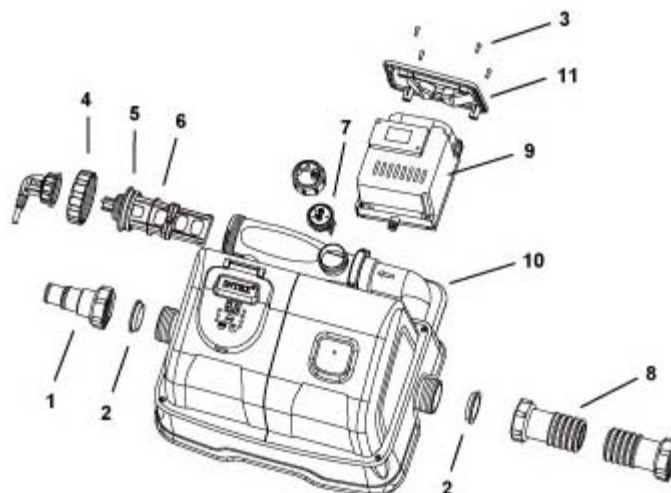
REF. NO.		SPARE PART NO.	DESCRIPTION	QTY	Remark
COMMON	FOR CONNECTION TO FILTER PUMPS WITH 1-1/4" (32MM) HOSE SIZE				
	1	10849	ADAPTOR A WITH THREADED COLLAR	1	OPTIONAL
2		10712	O-RING A	1	
3		11519	SCREW	2	
4		11577	ELECTROLYTIC CELL HOUSING	1	O-RING C INCLUDED
5		11579	COPPER ELECTRODE	1	
6		11581	TITANIUM ELECTRODE	1	
7		11460	FLOW SENSOR	1	2012 CHANGE
8		10720	CONNECTOR HOSE WITH THREADED FITTINGS	1	
	9	10722	THREADED ADAPTOR B	1	OPTIONAL
10		11131	CELL COVER	2	
11		11582	ELECTROLYTIC CELL NUT	1	
12		11228	L-SHAPED O-RING	1	
13		11580	COPPER ELECTRODE NUT	1	
14		19635	CHLORINE TEST STRIPS	1	
15		11254	COPPER TEST STRIPS	1	
16		11585	TITANIUM ELECTRODE O-RING	1	
17		11586	COPPER ELECTRODE O-RING	1	
*18		11591GS	CONTROL STATION FOR 54606GS	1	
**18		11591NL	CONTROL STATION FOR 54606NL	1	

* ONLY AVAILABLE FOR 54606GS

** ONLY AVAILABLE FOR 54606NL

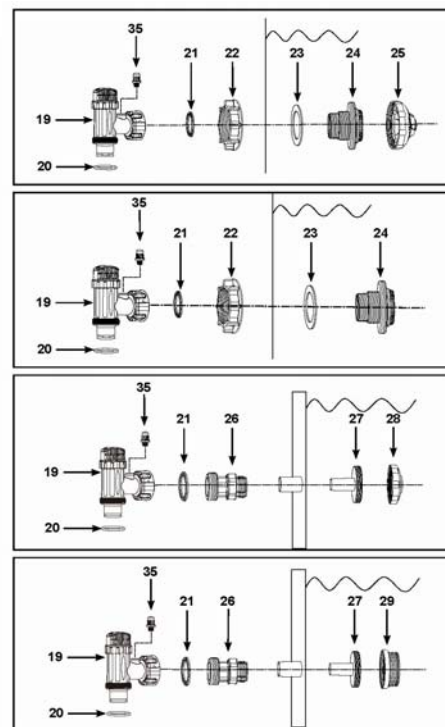
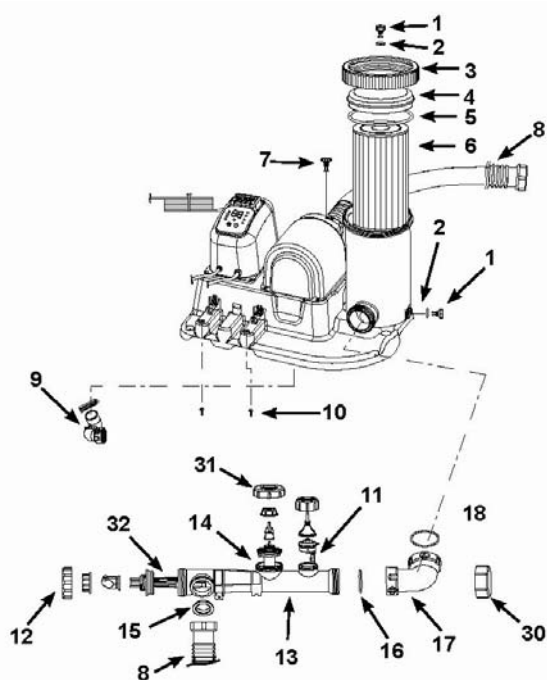
MODEL: ZS8110 (56607) & ZS8220/ZS8230 (56608)

PARTS REPLACEMENT



REF. NO.	SPARE PART NO.	DESCRIPTION	QTY	REMARK
1	10849	APAPTOR A	1	OPTIONAL
2	11228	L-SHAPE O-RING	2	
3	11677	SCREW	4	
4	11432	TITANIUM ELECTRODE NUT	1	
5	11374	TITANIUM ELECTRODE	1	
6	11515	O-RING ON TITANIUM PLATES	1	
7	11460	FLOW SENSOR	1	
8	10493	CONNECTOR HOSE WITH THREADED FITTING	1	
9	11561	OZONE GENERATOR ASSEMBLY	1	
10	11563	ELECTRONIC CONTROL STATION	1	
11	11652	OZONE ASSEMBLY COVER PANEL	1	
12	19635	CHLORINE TEST STRIPS	1	

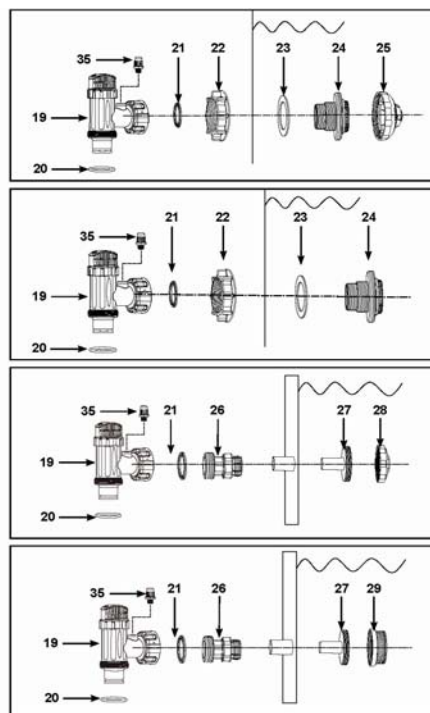
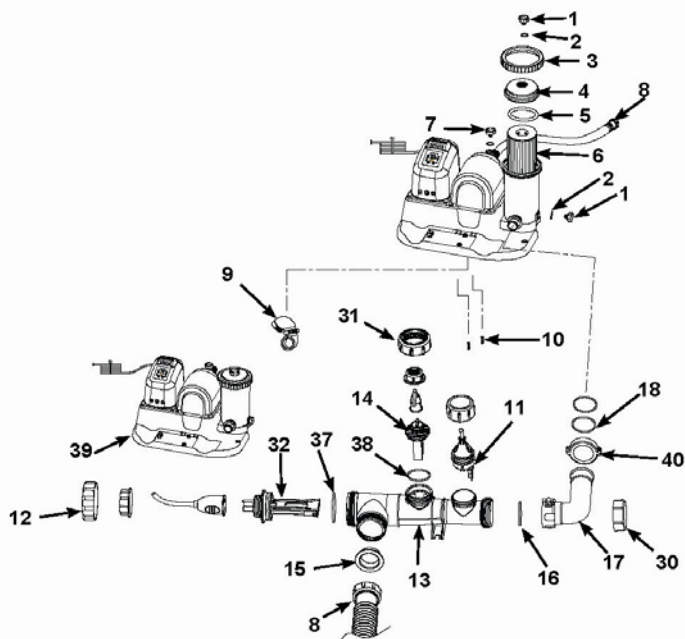
KRYSTAL CLEAR SALTWATER SYSTEM™ & FILTER PUMP MODEL: CS8111 (54611)-2013 CHANGED FOR CANADA ONLY PARTS REPLACEMENT



KRYSTAL CLEAR SALTWATER SYSTEM™ & FILTER PUMP MODEL: CS8111 (54611)

REF. NO.	SPARE PART NO.	DESCRIPTION	QTY	REMARK
1	10460	AIR RELEASE VALVE/SEDIMENT RELEASE VALVE	2	
2	10264	VALVE O-RING	2	
3	10491	THREADED FILTER HOUSING COLLAR	1	
4	10490	FILTER HOUSING COVER	1	
5	11330	FILTER HOUSING O-RING	1	
6	18905E	FILTER CARTRIDGE (59905)	1	
7	10725	AIR RELEASE VALVE B	1	WITH O-RING
8	10493	PUMP HOSE WITH NUTS	2	
9	10726	WATER TRANSFER HOSE	1	WITH COLLAR AND 2 HOSE CLAMPS
10	10713	SCREW	2	
11	11460	FLOW SENSOR	1	2012 CHANGE
12	11432	ELECTROLYTIC CELL NUT	1	
13	11434	ELECTROLYTIC CELL HOUSING	1	O-RING C INCLUDED
14	11234CA	COPPER ELECTRODE	1	
15	11228	L-SHAPE O-RING	1	
16	10717	O-RING C	1	
17	10724	ANGLE JOINT	1	O-RING INCLUDED
18	10743	O-RING D	1	
19	10747E	PLUNGER VALVE	2	HOSE O-RING, STEP WASHER, VACUUM RELEASE VALVE, VACUUM RELEASE VALVE CAP INCLUDED
20	10262	HOSE O-RING	2	
21	10745	STEP WASHER	2	
22	10256	STRAINER NUT	2	
23	10255	FLAT STRAINER RUBBER WASHER	2	
24	11235	THREADED STRAINER CONNECTOR	2	
25	11074	ADJUSTABLE POOL INLET NOZZLE	1	
26	10722	ADAPTOR B	2	OPTIONAL, FOR SMALL AGP WITH 1-1/4" HOSE CONNECTION
27	11070	STRAINER CONNECTOR	2	OPTIONAL, FOR SMALL AGP WITH 1-1/4" HOSE CONNECTION
28	11071	POOL INLET NOZZLE	1	OPTIONAL, FOR SMALL AGP WITH 1-1/4" HOSE CONNECTION
29	11072	STRAINER GRID	1	OPTIONAL, FOR SMALL AGP WITH 1-1/4" HOSE CONNECTION
30	11131	CELL COVER	1	
31	11488	COPPER ELECTRODE NUT	1	
32	11389	TITANIUM ELECTRODE	1	
33	19635	CHLORINE TEST STRIPS	1	
34	11254	COPPER TEST STRIPS	1	
35	11437	VACUUM RELEASE VALVE	2	
	11576	VACUUM RELEASE VALVE CAP	2	
	11681EG	FILTER HOUSING/MOTOR/CONTROL STATION FOR 54611CD	1	
	11279CA	#133CD MANUAL FOR 54611	1	

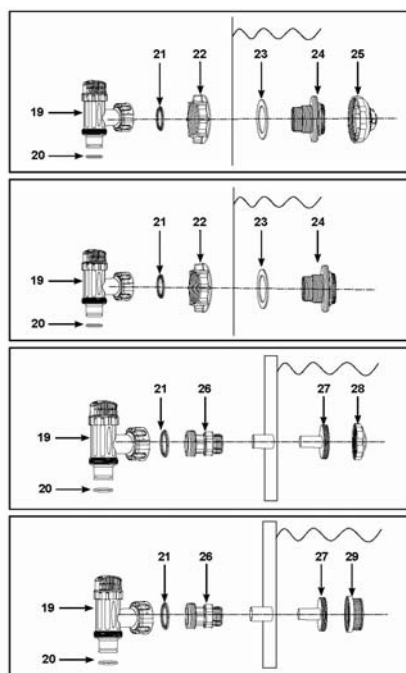
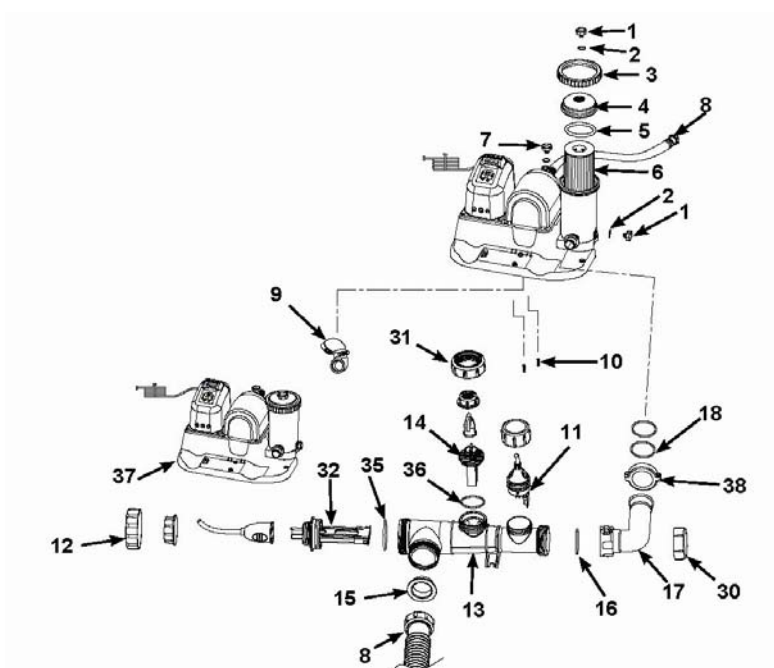
KRYSTAL CLEAR SALTWATER SYSTEM™ & FILTER PUMP MODEL: CS7111 (54615)



KRYSTAL CLEAR SALTWATER SYSTEM™ & FILTER PUMP MODEL: CS7111 (54615)

REF. NO.	SPARE PART NO.	DESCRIPTION	QTY	REMARK
1	10460	AIR RELEASE VALVE/SEDIMENT RELEASE VALVE	2	
2	10264	VALVE O-RING	2	
3	10749	THREADED FILTER HOUSING COLLAR	1	
4	10750	FILTER HOUSING COVER	1	
5	10325	FILTER HOUSING O-RING	1	
6	18905E	FILTER CARTRIDGE (59905)	1	
7	10725	AIR RELEASE VALVE B	1	WITH O-RING
8*	10493	PUMP HOSE WITH NUTS	2	
8**	10494	PUMP HOSE WITH NUTS	2	
9	11583	WATER TRANSFER HOSE	1	WITH COLLAR AND 2 HOSE CLAMPS
10	11519	SCREW	2	
11	11460	FLOW SENSOR	1	2012 CHANGE
12	11582	ELECTROLYTIC CELL NUT	2	
13	11578	ELECTROLYTIC CELL	1	O-RING C INCLUDED
14	11579	COPPER ELECTRODE	1	
15	11228	L-SHAPED O-RING	1	
16	10717	O-RING C	1	
17	11584	ANGLE JOINT	1	O-RING D INCLUDED
18	11587	O-RING A	1	
19	10747E	PLUNGER VALVE	2	HOSE O-RING & STEP WASHER INCLUDED
20	10262	HOSE O-RING	2	
21	10745	STEP WASHER	2	
22	10256	STRAINER NUT	2	
23	10255	FLAT STRAINER RUBBER WASHER	2	
24	11235	THREADED STRAINER CONNECTOR	2	
25	11074	ADJUSTABLE POOL INLET NOZZLE	1	
26	10722	ADAPTOR B	2	OPTIONAL, FOR SMALL AGP WITH 1-1/4" HOSE CONNECTION
27	11070	STRAINER CONNECTOR	2	OPTIONAL, FOR SMALL AGP WITH 1-1/4" HOSE CONNECTION
28	11071	POOL INLET NOZZLE	1	OPTIONAL, FOR SMALL AGP WITH 1-1/4" HOSE CONNECTION
29	11072	STRAINER GRID	1	OPTIONAL, FOR SMALL AGP WITH 1-1/4" HOSE CONNECTION
30	11131	CELL COVER	1	
31	11580	COPPER ELECTRODE NUT	1	
32	11581	TITANIUM ELECTRODE	1	
33	19635	CHLORINE TEST STRIPS	1	
34	11254	COPPER TEST STRIPS	1	
35	11437	VACUUM RELEASE VALVE	2	
36	11576	VACUUM RELEASE VALVE CAP	2	
37	11585	TITANIUM ELECTRODE O-RING	1	
38	11586	COPPER ELECTRODE O-RING	1	
39	11591EG	FILTER HOUSING/MOTOR/CONTROL STATION (110-120V)	1	
40	11604	COLLAR NUT	1	
	11609	#189PO MANUAL FOR 54615	1	

KRYSTAL CLEAR SALTWATER SYSTEM™ & FILTER PUMP MODEL: CS7221/ CS7231 (54616)



KRYSTAL CLEAR SALTWATER SYSTEM™ & FILTER PUMP MODEL: CS7221/ CS7231 (54616)

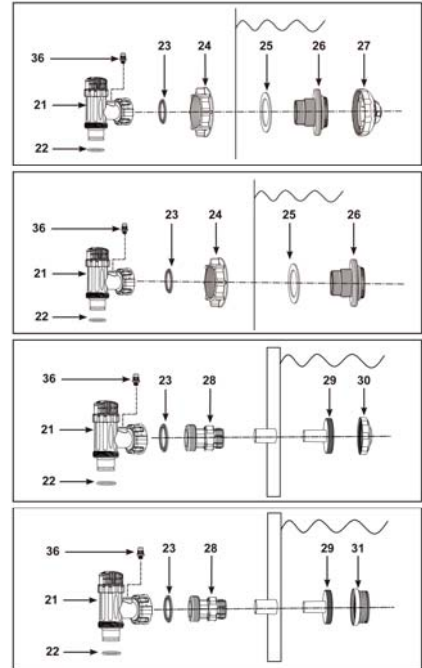
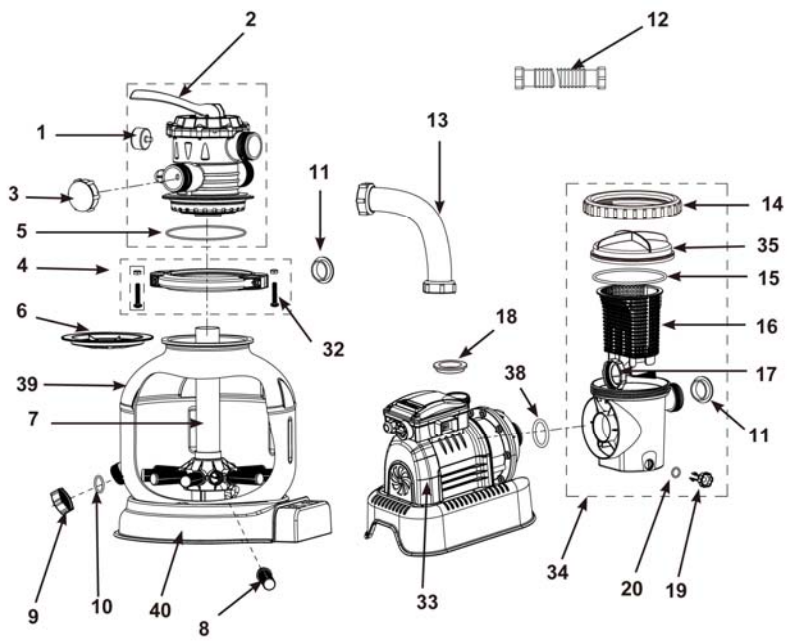
REF. NO.	SPARE PART NO.	DESCRIPTION	QTY	REMARK
1	10460	AIR RELEASE VALVE/SEDIMENT RELEASE VALVE	2	
2	10264	VALVE O-RING	2	
3	10749	THREADED FILTER HOUSING COLLAR	1	
4	10750	FILTER HOUSING COVER	1	
5	10325	FILTER HOUSING O-RING	1	
6	59905	FILTER CARTRIDGE (59905)	1	
7	10725	AIR RELEASE VALVE B	1	WITH O-RING
8	10494	PUMP HOSE WITH NUTS	2	
9	11583	WATER TRANSFER HOSE	1	WITH COLLAR AND 2 HOSE CLAMPS
10	11519	SCREW	2	
11	11460	FLOW SENSOR	1	2012 CHANGE
12	11582	ELECTROLYTIC CELL NUT	2	
13	11578	ELECTROLYTIC CELL	1	O-RING C INCLUDED
14	11579	COPPER ELECTRODE	1	
15	11228	L-SHAPED O-RING	1	
16	10717	O-RING C	1	
17	11584	ANGLE JOINT	1	O-RING D INCLUDED
18	11587	O-RING A	1	
19	10747	PLUNGER VALVE	2	HOSE O-RING & STEP WASHER INCLUDED
20	10262	HOSE O-RING	2	
21	10745	STEP WASHER	2	
22	10256	STRAINER NUT	2	
23	10255	FLAT STRAINER RUBBER WASHER	2	
24	11235	THREADED STRAINER CONNECTOR	2	
25	11074	ADJUSTABLE POOL INLET NOZZLE	1	
26	10722	ADAPTOR B	2	OPTIONAL, FOR SMALL AGP WITH 1-1/4" HOSE CONNECTION
27	11070	STRAINER CONNECTOR	2	OPTIONAL, FOR SMALL AGP WITH 1-1/4" HOSE CONNECTION
28	11071	POOL INLET NOZZLE	1	OPTIONAL, FOR SMALL AGP WITH 1-1/4" HOSE CONNECTION
29	11072	STRAINER GRID	1	OPTIONAL, FOR SMALL AGP WITH 1-1/4" HOSE CONNECTION
30	11131	CELL COVER	1	
31	11580	COPPER ELECTRODE NUT	1	
32	11581	TITANIUM ELECTRODE	1	
33	19635	CHLORINE TEST STRIPS	1	
34	11254	COPPER TEST STRIPS	1	
35	11585	TITANIUM ELECTRODE O-RING	1	
36	11586	COPPER ELECTRODE O-RING	1	
37	11592	FILTER HOUSING/MOTOR/CONTROL STATION (220-240V)	1	
38	11604	COLLAR NUT	1	
	11610	#189IO MANUAL FOR 54616	1	

SAND FILTER PUMP PARTS LIST



12" SAND FILTER PUMP- SF10110

PARTS REPLACEMENT

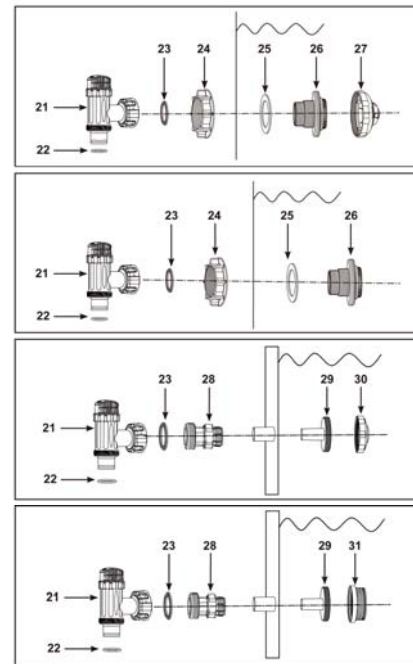
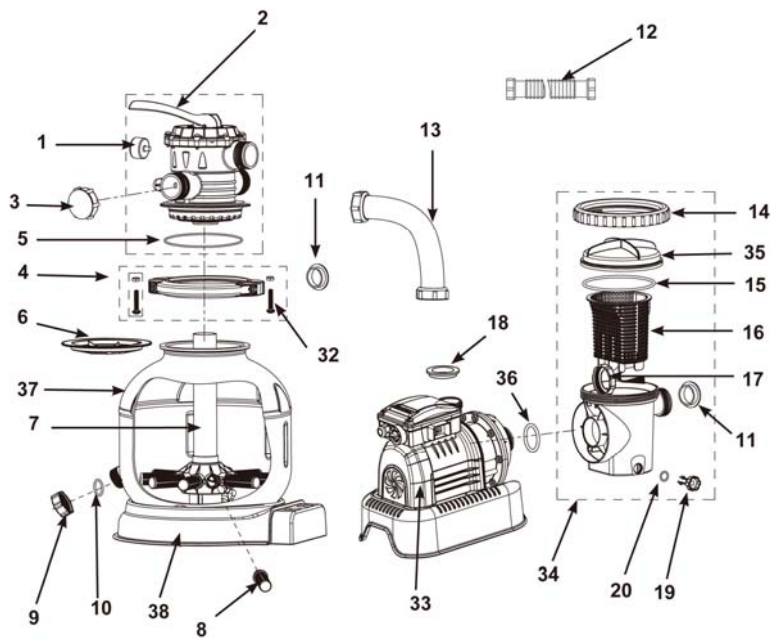


**MODEL: SF10110 (56685/56685EG) - 12" SAND FILTER PUMP
PARTS REPLACEMENT**

REF. NO.	SPARE PART NO.	DESCRIPTION	QTY	REMARK
1	11481	PRESSURE GAUGE	1	
2	11482	6-WAY VALVE	1	
3	11131	DRAIN OUTLET COVER	1	
4	11380	CLAMP	1	
5	11379	TANK O-RING	1	
6	11382	SAND SHIELD	1	
7	11483	CENTER PIPE HUB	1	
8	11484	LATERAL	10	
9	11456	DRAIN VALVE CAP	1	
10	11385	DRAIN VALVE O-RING	1	
11	11228	L-SHAPE O-RING	4	
12	11009	HOSE WITH NUTS	2	
13	11390	SAND FILTER INTERCONNECTING HOSE	1	
14	11479	LEAF TRAP NUT	1	
15	11232	LEAF TRAP O-RING	1	
16	11260	BASKET	1	
17	11261	FILTER HOUSING NUT	1	
18	11412	L-SHAPE O-RING A	1	
19	10460	SEDIMENT RELEASE VALVE	1	
20	10264	VALVE O-RING	1	
21	10747E	PLUNGER VALVE	2	HOSE O-RING & STEP WASHER INCLUDED
22	10262	HOSE O-RING	2	
23	10745	STEP WASHER	2	
24	10256	STRAINER NUT	2	
25	10255	FLAT STRAINER RUBBER WASHER	2	
26	11235	THREADED STRAINER CONNECTOR	2	
27	11074	ADJUSTABLE POOL INLET NOZZLE	1	
28	10722	ADAPTOR B	2	
29	11070	STRAINER CONNECTOR (OPTIONAL)	2	OPTIONAL (NOT INCLUDED)
30	11071	POOL INLET NOZZLE (OPTIONAL)	1	OPTIONAL (NOT INCLUDED)
31	11072	STRAINER GRID (OPTIONAL)	1	OPTIONAL (NOT INCLUDED)
32	11381	SCREW	2	
33	11485EG	PUMP MOTOR & CONTROL	1	
34	11371	PRE-FILTER ASSEMBLY	1	
35	11480	LEAF TRAP COVER	1	START FROM 2012
36	11437	VACUUM RELEASE VALVE	2	
37	11576	VACUUM RELEASE VALVE CAP	2	
38	11457	SAND FILTER PUMP MOTOR INLET O-RING	2	START FROM 2012
39	11499	12" SAND FILTER PUMP TANK	1	START FROM 2012
40	11537	12" SAND FILTER PUMP TANK BASE	1	START FROM 2012
	11500	#178 MANUAL FOR 56685		

12" SAND FILTER PUMP- SF10220 / SF10220RC

PARTS REPLACEMENT

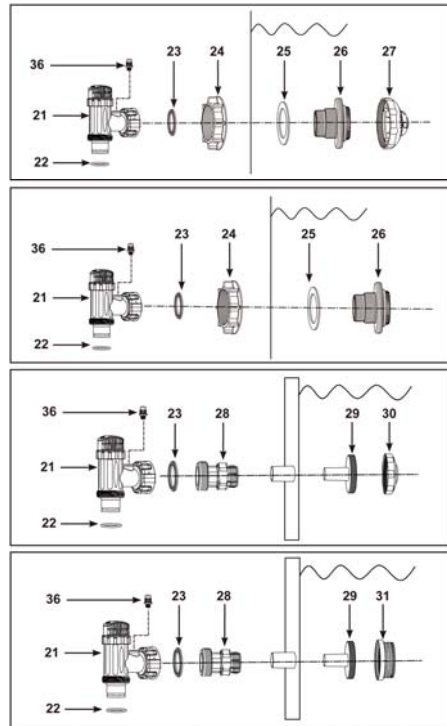
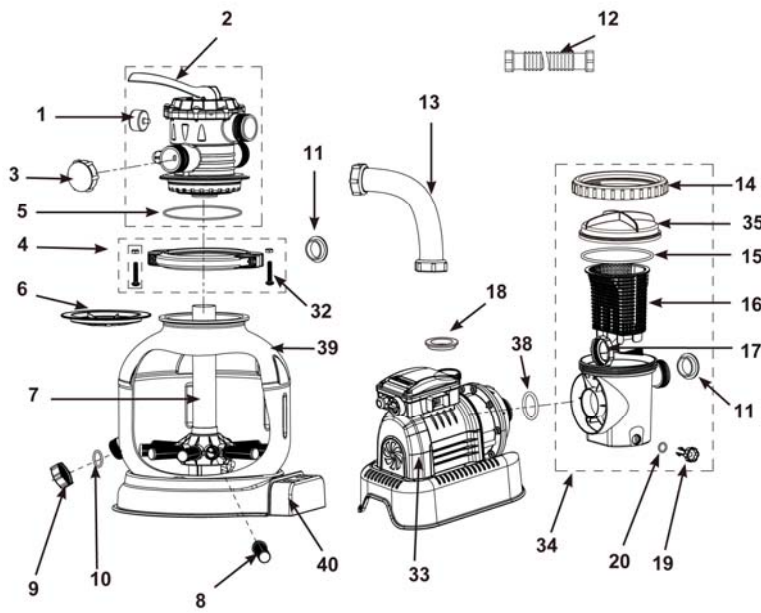


**MODEL: SF10220 (56686) /SF10220RC (56686NL) - 12" SAND FILTER PUMP
PARTS REPLACEMENT**

REF. NO.	SPARE PART NO.	DESCRIPTION	QTY	REMARK
1	11481	PRESSURE GAUGE	1	
2	11482	6-WAY VALVE	1	
3	11131	DRAIN OUTLET COVER	1	
4	11380	CLAMP	1	
5	11379	TANK O-RING	1	
6	11382	SAND SHIELD	1	
7	11483	CENTER PIPE HUB	1	
8	11484	LATERAL	10	
9	11456	DRAIN VALVE CAP	1	
10	11385	DRAIN VALVE O-RING	1	
11	11228	L-SHAPE O-RING	4	
12	11010	HOSE WITH NUTS	2	
13	11390	SAND FILTER INTERCONNECTING HOSE	1	
14	11479	LEAF TRAP NUT	1	
15	11232	LEAF TRAP O-RING	1	
16	11260	BASKET	1	
17	11261	FILTER HOUSING NUT	1	
18	11412	L-SHAPE O-RING A	1	
19	10460	SEDIMENT RELEASE VALVE	1	
20	10264	VALVE O-RING	1	
21	10747	PLUNGER VALVE	2	HOSE O-RING & STEP WASHER INCLUDED
22	10262	HOSE O-RING	2	
23	10745	STEP WASHER	2	
24	10256	STRAINER NUT	2	
25	10255	FLAT STRAINER RUBBER WASHER	2	
26	11235	THREADED STRAINER CONNECTOR	2	
27	11074	ADJUSTABLE POOL INLET NOZZLE	1	
28	10722	ADAPTOR B	2	
29	11070	STRAINER CONNECTOR (OPTIONAL)	2	OPTIONAL (NOT INCLUDED)
30	11071	POOL INLET NOZZLE (OPTIONAL)	1	OPTIONAL (NOT INCLUDED)
31	11072	STRAINER GRID (OPTIONAL)	1	OPTIONAL (NOT INCLUDED)
32	11381	SCREW	2	
33	11486	PUMP MOTOR & CONTROL	1	
*33	11486NL	PUMP MOTOR & CONTROL	1	
34	11371	PRE-FILTER ASSEMBLY	1	
35	11480	LEAF TRAP COVER	1	START FROM 2012
36	11457	O-RING FOR SAND FILTER PUMP MOTOR INLET	2	START FROM 2012
37	11499	TANK FOR 12" SAND FILTER PUMP	1	START FROM 2012
38	11537	SAND FILTER PUMP TANK BASE	1	START FROM 2012
	11501	#179 MANUAL FOR 56686		

* ONLY AVAILABLE FOR MODEL SF10220RC

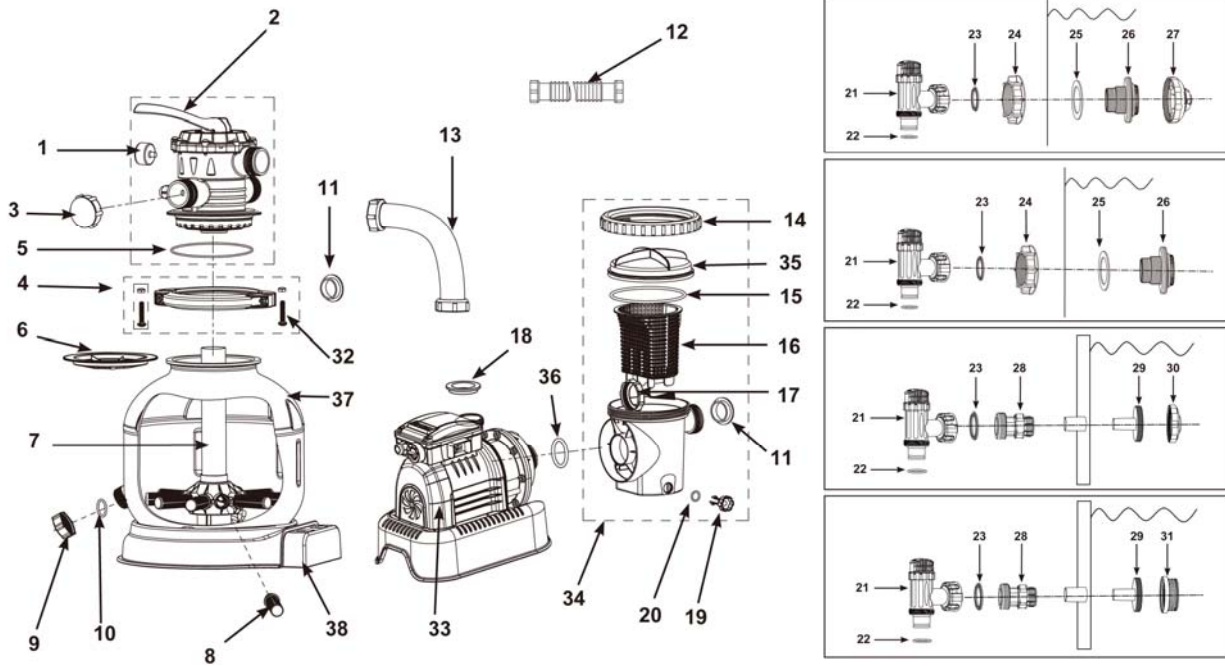
14" SAND FILTER PUMP- SF15110 PARTS REPLACEMENT



**MODEL: SF15110 (56673/56673EG) - 14" SAND FILTER PUMP
PARTS REPLACEMENT**

REF. NO.	SPARE PART NO.	DESCRIPTION	QTY	REMARK
1	11411	PRESSURE GAUGE	1	
2	11378	6 WAY VALVE	1	
3	11131	DRAIN OUTLET COVER	1	
4	11380	CLAMP	1	
5	11379	TANK O-RING	1	
6	11382	SAND SHIELD	1	
7	11383	CENTER PIPE HUB	1	
8	11384	LATERAL	10	
9	11456	DRAIN VALVE CAP	1	
10	11385	DRAIN VALVE O-RING	1	
11	11228	L-SHAPE O-RING	4	
12	11009	HOSE WITH NUTS	2	
13	11388	SAND FILTER INTERCONNECTING HOSE	1	
14	11479	LEAF TRAP NUT	1	
15	11232	LEAF TRAP O-RING	1	
16	11260	BASKET	1	
17	11261	FILTER HOUSING NUT	1	
18	11412	L-SHAPE O-RING	1	
19	10460	SEDIMENT RELEASE VALVE	1	
20	10264	VALVE O-RING	1	
21	10747E	PLUNGER VALVE	2	HOSE O-RING & STEP WASHER INCLUDED
22	10262	HOSE O-RING	2	
23	10745	STEP WASHER	2	
24	10256	STRAINER NUT	2	
25	10255	FLAT STRAINER RUBBER WASHER	2	
26	11235	THREADED STRAINER CONNECTOR	2	
27	11074	ADJUSTABLE POOL INLET NOZZLE	1	
28	10722	ADAPTOR B	2	
29	11070	STRAINER CONNECTOR	2	OPTIONAL (NOT INCLUDED)
30	11071	POOL INLET NOZZLE	1	OPTIONAL (NOT INCLUDED)
31	11072	STRAINER GRID	1	OPTIONAL (NOT INCLUDED)
32	11381	SCREW	2	
33	11387EG	PUMP MOTOR & CONTROL	1	
34	11371	PRE-FILTER ASSEMBLY	1	
35	11480	LEAF TRAP COVER	1	START FORM 2012
36	11437	VACUUM RELEASE VALVE	2	
37	11576	VACUUM RELEASE VALVE CAP	2	
38	11457	O-RING FOR SAND FILTER PUMP MOTOR INLET	2	START FROM 2012
39	11498	14" SAND FILTER PUMP AND COMBO TANK	1	START FROM 2012
38	11513	14" SAND FILTER PUMP TANK BASE	1	START FROM 2012
	11631	#161 MANUAL FOR 56673		

14" SAND FILTER PUMP- SF15220 / SF15220RC PARTS REPLACEMENT

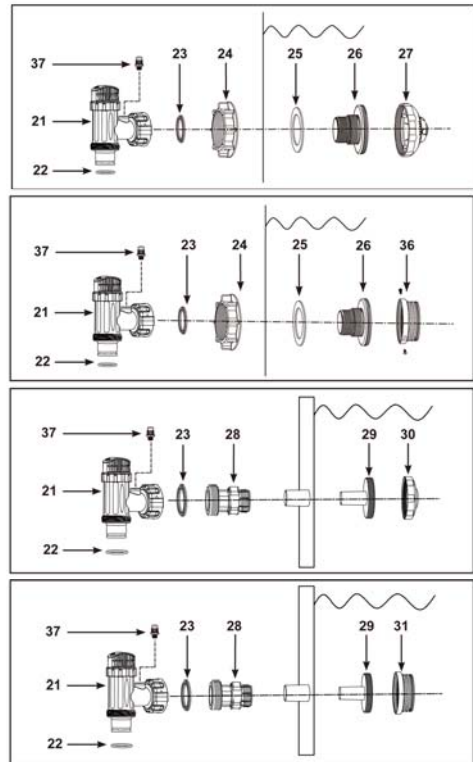
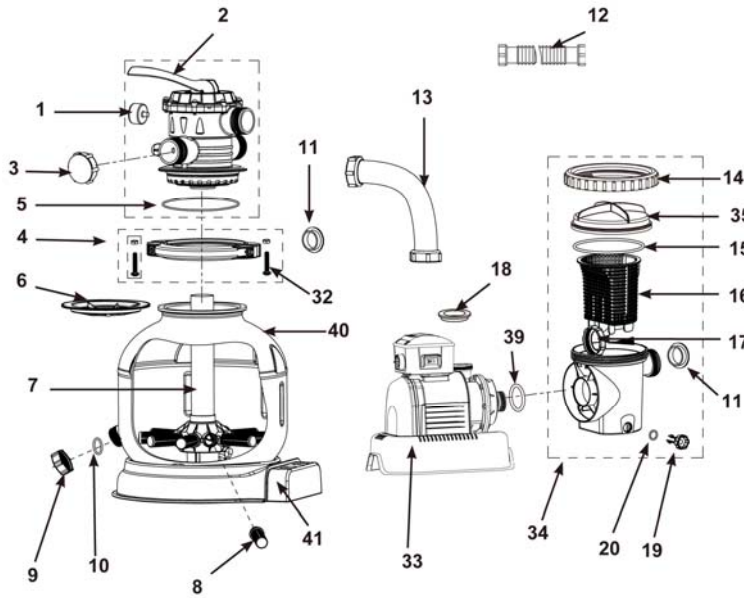


**MODEL: SF15220 (56674) / SF15220RC (56674NL) - 14" SAND FILTER PUMP
PARTS REPLACEMENT**

REF. NO.	SPARE PART NO.	DESCRIPTION	QTY	REMARK
1	11411	PRESSURE GAUGE	1	
2	11378	6 WAY VALVE	1	
3	11131	DRAIN OUTLET COVER	1	
4	11380	CLAMP	1	
5	11379	TANK O-RING	1	
6	11382	SAND SHIELD	1	
7	11383	CENTER PIPE HUB	1	
8	11384	LATERAL	10	
9	11456	DRAIN VALVE CAP	1	
10	11385	DRAIN VALVE O-RING	1	
11	11228	L-SHAPE O-RING	4	
12	11010	HOSE WITH NUTS	2	
13	11388	SAND FILTER INTERCONNECTING HOSE	1	
14	11479	LEAF TRAP NUT	1	
15	11232	LEAF TRAP O-RING	1	
16	11260	BASKET	1	
17	11261	FILTER HOUSING NUT	1	
18	11412	L-SHAPE O-RING	1	
19	10460	SEDIMENT RELEASE VALVE	1	
20	10264	VALVE O-RING	1	
21	10747	PLUNGER VALVE	2	HOSE O-RING & STEP WASHER INCLUDED
22	10262	HOSE O-RING	2	
23	10745	STEP WASHER	2	
24	10256	STRAINER NUT	2	
25	10255	FLAT STRAINER RUBBER WASHER	2	
26	11235	THREADED STRAINER CONNECTOR	2	
27	11074	ADJUSTABLE POOL INLET NOZZLE	1	
28	10722	ADAPTOR B	2	
29	11070	STRAINER CONNECTOR	2	OPTIONAL (NOT INCLUDED)
30	11071	POOL INLET NOZZLE	1	OPTIONAL (NOT INCLUDED)
31	11072	STRAINER GRID	1	OPTIONAL (NOT INCLUDED)
32	11381	SCREW	2	
33	11386	PUMP MOTOR & CONTROL	1	
*33	11386NL	PUMP MOTOR & CONTROL	1	
34	11371	PRE-FILTER ASSEMBLY	1	
35	11480	LEAF TRAP COVER	1	START FORM 2012
36	11457	SAND FILTER PUMP MOTOR INLET O-RING	2	START FROM 2012
37	11498	14" SAND FILTER PUMP AND COMBO TANK	1	START FROM 2012
38	11513	14" SAND FILTER PUMP TANK BASE	1	START FROM 2012
	11632	#162 MANUAL FOR 56674		

* ONLY AVAILABLE FOR MODEL **SF15220RC**

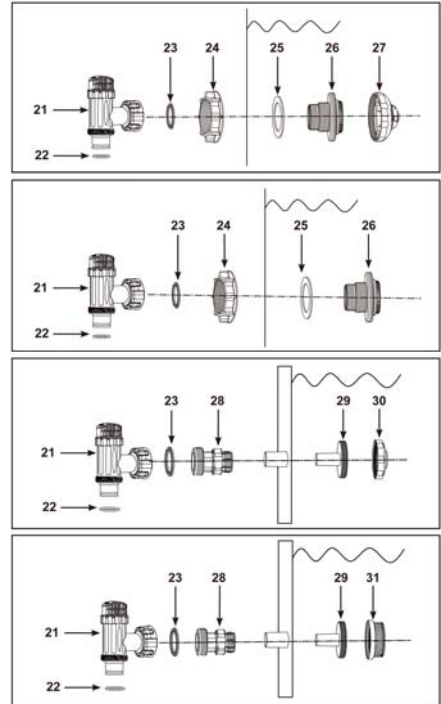
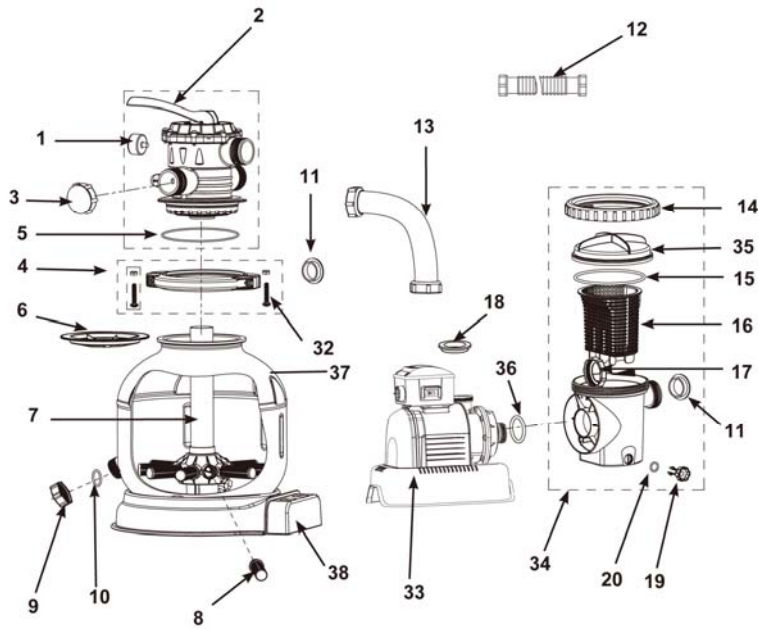
MODEL: SF20110 (56671/56671EG) - 16" SAND FILTER PUMP PARTS REPLACEMENT



**MODEL: SF20110 (56671/56671EG) - 16" SAND FILTER PUMP
PARTS REPLACEMENT**

REF. NO.	SPARE PART NO.	DESCRIPTION	QTY	REMARK
1	11224	PRESSURE GAUGE	1	2012 CHANGE
2	11496	6-WAY VALVE	1	
3	11131	DRAIN OUTLET COVER	1	
4	11380	CLAMP	1	
5	11379	TANK O-RING	1	
6	11382	SAND SHIELD	1	
7	11495	CENTER PIPE HUB	1	
8	11384	LATERAL	10	
9	11456	DRAIN VALVE CAP	1	
10	11385	DRAIN VALVE O-RING	1	
11	11228	L-SHAPE O-RING	4	
12	11009	HOSE WITH NUTS	2	
13	11535	SAND FILTER INTERCONNECTING HOSE	1	
14	11479	LEAF TRAP NUT	1	
15	11232	LEAF TRAP O-RING	1	
16	11260	BASKET	1	
17	11261	FILTER HOUSING NUT	1	
18	11412	L-SHAPE O-RING A	1	
19	10460	SEDIMENT RELEASE VALVE	1	
20	10264	VALVE O-RING	1	
21	10747E	PLUNGER VALVE	2	HOSE O-RING & STEP WASHER INCLUDED
22	10262	HOSE O-RING	2	
23	10745	STEP WASHER	2	
24	10256	STRAINER NUT	2	
25	10255	FLAT STRAINER RUBBER WASHER	2	
26	10744	THREADED STRAINER CONNECTOR	2	
27	11074	ADJUSTABLE POOL INLET NOZZLE	1	
28	10722	ADAPTOR B	2	
29	11070	STRAINER CONNECTOR	2	OPTIONAL (NOT INCLUDED)
30	11071	POOL INLET NOZZLE	1	OPTIONAL (NOT INCLUDED)
31	11072	STRAINER GRID	1	OPTIONAL (NOT INCLUDED)
32	11381	SCREW	2	
33	11322EG	PUMP MOTOR & CONTROL	1	
34	11371	PRE-FILTER ASSEMBLY	1	
35	11480	LEAF TRAP COVER	1	
36	10253	STRAINER GRID	1	
37	11437	VACUUM RELEASE VALVE	2	
38	11576	VACUUM RELEASE VALVE CAP	2	
39	11457	O-RING FOR MOTOR INLET	2	START FROM 2012
40	11497	16" SAND FITLER PUMP TANK	1	START FROM 2012
41	11514	16" SAND FILTER PUIMP TANK BASE	1	START FROM 2012
	11627	#127 MANUAL FOR 56671		

MODEL: SF20220R (56672) - 16" SAND FILTER PUMP PARTS REPLACEMENT



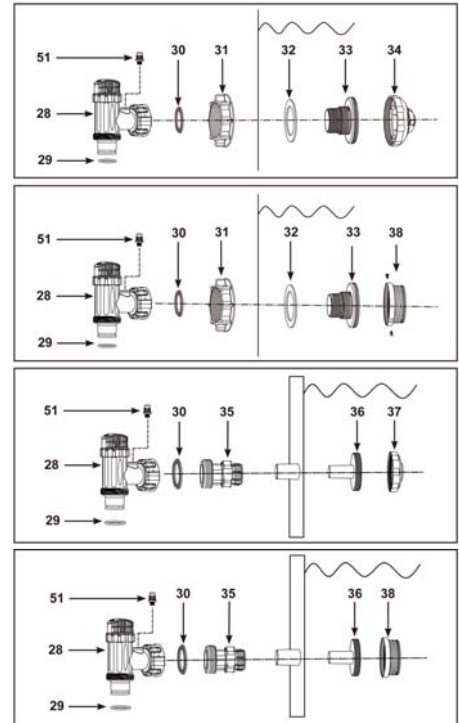
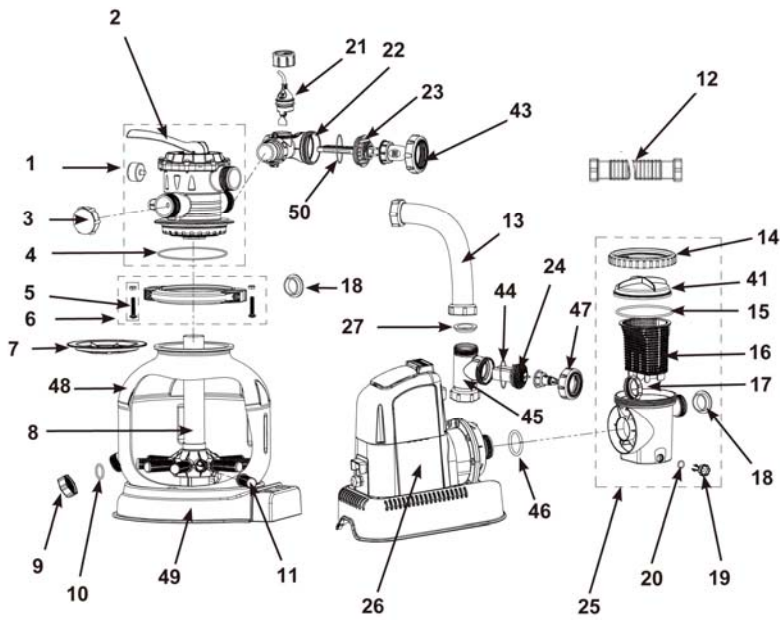
**MODEL: SF20220R (56672) - 16" SAND FILTER PUMP
PARTS REPLACEMENT**

REF. NO.	SPARE PART NO.	DESCRIPTION	QTY	REMARK
1	11224	PRESSURE GAUGE	1	2012 CHANGE
2	11496	6-WAY VALVE	1	
3	11131	DRAIN OUTLET COVER	1	
4	11380	CLAMP	1	
5	11379	TANK O-RING	1	
6	11382	SAND SHIELD	1	
7	11495	CENTER PIPE HUB	1	
8	11384	LATERAL	10	
9	11456	DRAIN VALVE CAP	1	
10	11385	DRAIN VALVE O-RING	1	
11	11228	L-SHAPE O-RING	4	
12	11010	HOSE WITH NUTS	2	
13	11535	SAND FILTER INTERCONNECTING HOSE	1	
14	11479	LEAF TRAP NUT	1	
15	11232	LEAF TRAP O-RING	1	
16	11260	BASKET	1	
17	11261	FILTER HOUSING NUT	1	
18	11412	L-SHAPE O-RING A	1	
19	10460	SEDIMENT RELEASE VALVE	1	
20	10264	VALVE O-RING	1	
21	10747	PLUNGER VALVE	2	HOSE O-RING & STEP WASHER INCLUDED
22	10262	HOSE O-RING	2	
23	10745	STEP WASHER	2	
24	10256	STRAINER NUT	2	
25	10255	FLAT STRAINER RUBBER WASHER	2	
26	11235	THREADED STRAINER CONNECTOR	2	
27	11074	ADJUSTABLE POOL INLET NOZZLE	1	
28	10722	ADAPTOR B	2	
29	11070	STRAINER CONNECTOR	2	OPTIONAL (NOT INCLUDED)
30	11071	POOL INLET NOZZLE	1	OPTIONAL (NOT INCLUDED)
31	11072	STRAINER GRID	1	OPTIONAL (NOT INCLUDED)
32	11381	SCREW	2	
33	11322	PUMP MOTOR & CONTROL	1	
34	11371	PRE-FILTER ASSEMBLY	1	
35	11480	LEAF TRAP COVER	1	
36	11457	O-RING FOR MOTOR INLET	2	START FROM 2012
37	11497	TANK	1	START FROM 2012
38	11514	TANK BASE	1	START FROM 2012
	11628	#128 MANUAL FOR 56672		

KRYSTAL CLEAR™ SAND FILTER PUMP & SALTWATER SYSTEMS PARTS LIST



16" KRYSTAL CLEAR™ SAND FILTER PUMP & SALTWATER SYSTEMS MODEL: CS20110 (56681/56681EG)

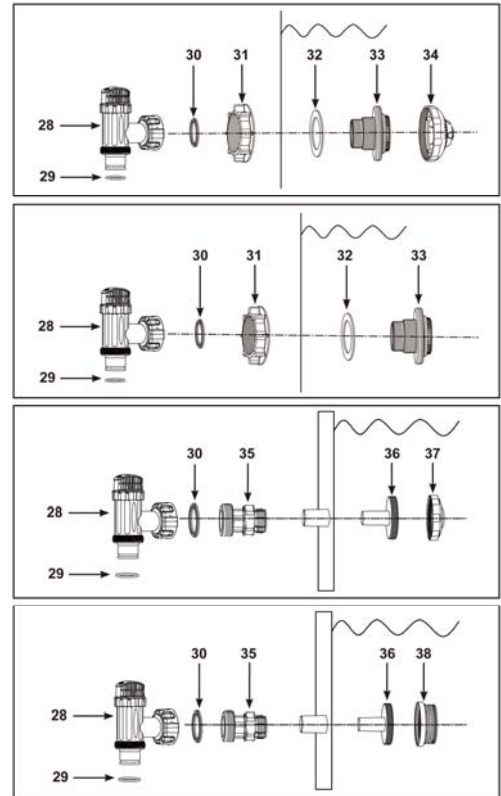
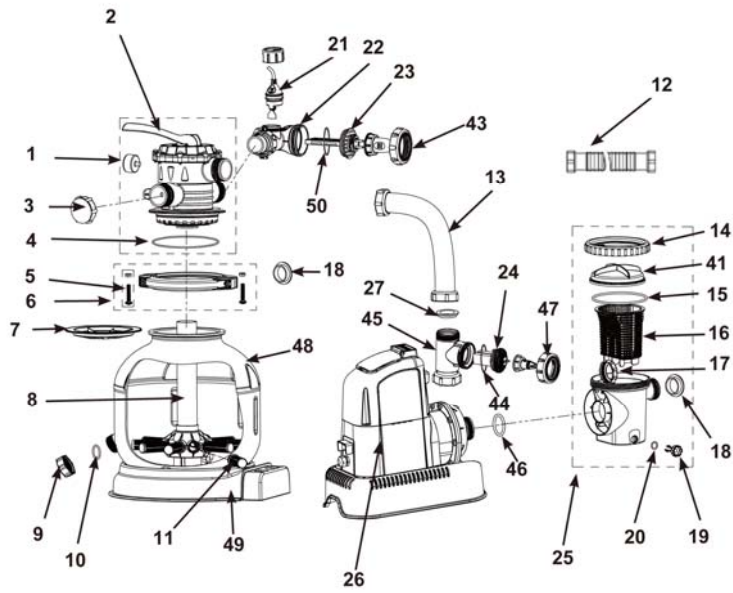


16" KRYSTAL CLEAR™ SAND FILTER PUMP & SALTWATER SYSTEMS MODEL: CS20110 (56681/56681EG)

REF. NO.	SPARE PART NO.	DESCRIPTION	QTY	REMARK
1	11224	PRESSURE GAUGE	1	
2	11496	6-WAY VALVE	1	
3	11131	ELECTROLYTIC CELL COVER	1	
4	11379	TANK O-RING	1	
5	11381	SCREW	2	
6	11380	CLAMP WITH SCREWS	1	
7	11382	SAND SHIELD	1	
8	11495	CENTER PIPE HUB	1	
9	11456	DRAIN VALVE CAP	1	
10	11385	DRAIN VALVE O-RING	1	
11	11384	LATERAL	10	
12	11009	PUMP HOSE WITH NUT	2	
13	11536	INTERCONNECTING HOSE	1	
14	11479	LEAF TRAP NUT	1	
15	11232	LEAF TRAP O-RING	1	
16	11260	BASKET	1	
17	11261	FILTER HOUSING NUT	1	
18	11228	L-SHAPE O-RING	4	
19	10460	SEDIMENT RELEASE VALVE	1	
20	10264	AIR RELEASE VALVE O-RING	1	
21	11460	FLOW SENSOR	1	
22	11372	ELECTROLYTIC CELL HOUSING	1	
23	11374	TITANIUM PLATES	1	
24	11234	COPPER ELECTRODE	1	
25	11371	PRE-FILTER ASSEMBLY	1	
26	11463EG	PUMP MOTOR & CONTROL	1	
27	11439	L-SHAPE O-RING	1	
28	10747E	PLUNGER VALVE	2	HOSE O-RING & STEP WASHER INCLUDED
29	10262	HOSE O-RING	2	
30	10745	STEP WASHER	2	
31	10256	STRAINER NUT	2	
32	10255	FLAT STRAINER RUBBER WASHER	2	
33	10744	THREADED STRAINER CONNECTOR	2	
34	11074	ADJUSTABLE POOL INLET NOZZLE	1	
35	10722	ADAPTOR B	2	
36	11070	STRAINER CONNECTOR FOR 1-1/4" FITTING	2	OPTIONAL (NOT INCLUDED)
37	11071	POOL INLET NOZZLE	1	OPTIONAL (NOT INCLUDED)
38	11072	STRAINER GRID	1	OPTIONAL (NOT INCLUDED)
39	19635	3-WAY TEST STRIPS 59635	1	
40	11254	COPPER TEST STRIPS	1	
41	11480	LEAF TRAP COVER	1	
42	10253	STRAINER GRID	1	
43	11432	ELECTROLYTIC CELL NUT	1	
44	11440	O-RING FOR COPPER ELECTRODE	1	
45	11441	COPPER ELECTRODE HOUSING	1	
46	11457	O-RING FOR SAND FILTER PUMP MOTOR	2	
47	11488	COPPER ELECTRODE NUT	1	
48	11497	TANK SAND FILTER PUMP AND COMBO	1	
49	11514	16" SAND FILTER PUMP TANK BASE	1	
50	11515	O-RING ON TITANIUM PLATES	1	
51	11437	VACUUM RELEASE VALVE	2	
52	11576	VACUUM RELEASE VALVE VAP	2	
	11629	#159 MANUAL FOR 56681		

16" KRYSTAL CLEAR™ SAND FILTER PUMP & SALTWATER SYSTEMS

MODEL: CS20220 (56682)

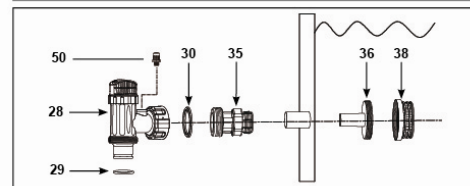
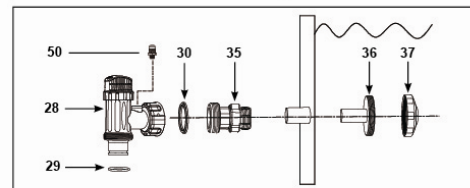
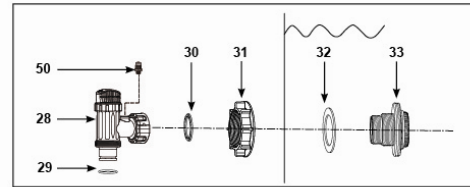
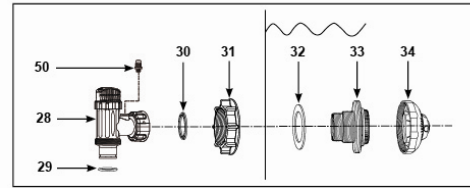
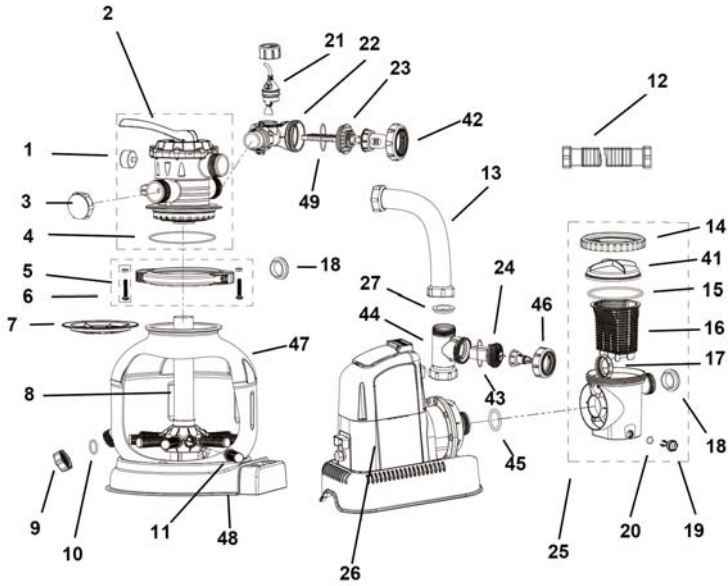


16" KRYSTAL CLEAR™ SAND FILTER PUMP & SALTWATER SYSTEMS MODEL: CS20220 (56682)

REF. NO.	SPARE PART NO.	DESCRIPTION	QTY	REMARK
1	11224	PRESSURE GAUGE	1	
2	11496	6-WAY VALVE	1	
3	11131	ELECTROLYTIC CELL COVER	1	
4	11379	TANK O-RING	1	
5	11381	SCREW	2	
6	11380	CLAMP WITH SCREWS	1	
7	11382	SAND SHIELD	1	
8	11495	CENTER PIPE HUB	1	
9	11456	DRAIN VALVE CAP	1	
10	11385	DRAIN VALVE O-RING	1	
11	11384	LATERAL	10	
12	11010	PUMP HOSE WITH NUTS	2	
13	11536	INTERCONNECTING HOSE	1	
14	11479	LEAF TRAP NUT	1	
15	11232	LEAF TRAP O-RING	1	
16	11260	BASKET	1	
17	11261	FILTER HOUSING NUT	1	
18	11228	L-SHAPE O-RING	4	
19	10460	SEDIMENT RELEASE VALVE	1	
20	10264	AIR RELEASE VALVE O-RING	1	
21	11460	FLOW SENSOR	1	
22	11372	ELECTROLYTIC CELL HOUSING	1	
23	11374	TITANIUM PLATES	1	
24	11234	COPPER ELECTRODE	1	
25	11371	PRE-FILTER ASSEMBLY	1	
26	11464	PUMP MOTOR & CONTROL	1	
27	11439	L-SHAPE O-RING	1	
28	10747	PLUNGER VALVE	2	HOSE O-RING & STEP WASHER INCLUDED
29	10262	HOSE O-RING	2	
30	10745	STEP WASHER	2	
31	10256	STRAINER NUT	2	
32	10255	FLAT STRAINER RUBBER WASHER	2	
33	11235	THREADED STRAINER CONNECTOR	2	
34	11074	ADJUSTABLE POOL INLET NOZZLE	1	
35	10722	ADAPTOR B	2	
36	11070	STRAINER CONNECTOR FOR 1-1/4" FITTING	2	OPTIONAL (NOT INCLUDED)
37	11071	POOL INLET NOZZLE	1	OPTIONAL (NOT INCLUDED)
38	11072	STRAINER GRID	1	OPTIONAL (NOT INCLUDED)
39	19635	3-WAY TEST STRIPS 59635	1	
40	11254	COPPER TEST STRIPS	1	
41	11480	LEAF TRAP COVER	1	
43	11432	ELECTROLYTIC CELL NUT	1	
44	11440	O-RING FOR COPPER ELECTRODE	1	
45	11441	COPPER ELECTRODE HOUSING	1	
46	11457	O-RING FOR SAND FILTER PUMP MOTOR INLET	2	
47	11488	COPPER ELECTRODE NUT	1	
48	11497	TANK SAND FILTER PUMP AND COMBO	1	
49	11514	16" SAND FILTER PUMP TANK BASE	1	
50	11515	O-RING ON TITANIUM PLATES	1	
	11630	#160 MANUAL FOR 56682		

14" KRYSTAL CLEAR™ SAND FILTER PUMP & SALTWATER SYSTEMS

MODEL: CS15110 (56677/56677EG)

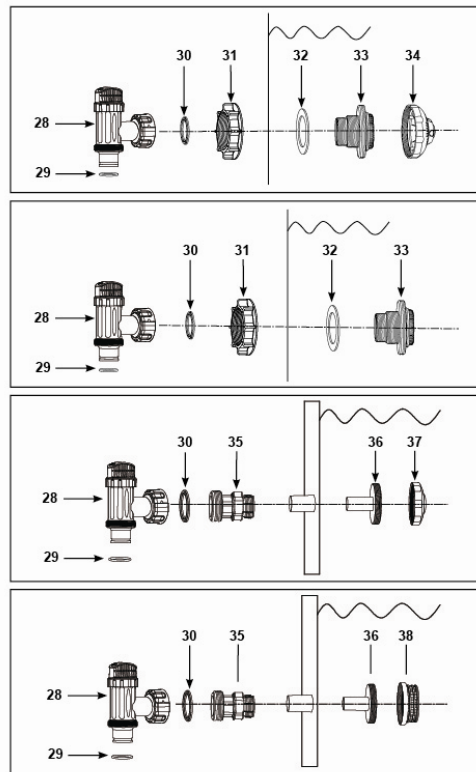
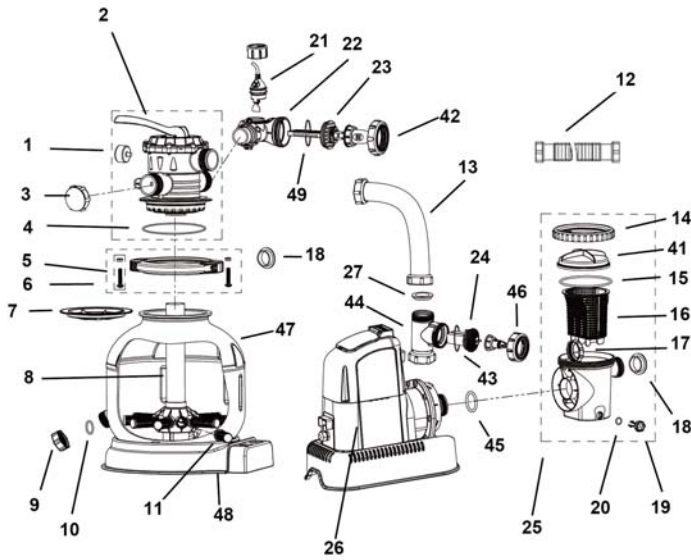


14" KRYSTAL CLEAR™ SAND FILTER PUMP & SALTWATER SYSTEMS

MODEL: CS15110 (56677/56677EG)

REF. NO.	SPARE PART NO.	DESCRIPTION	QTY	REMARK
1	11411	PRESSURE GAUGE	1	
2	11378	6-WAY VALVE SET	1	
3	11131	ELECTROLYTIC CELL COVER	1	
4	11379	TANK O-RING	1	
5	11381	SCREW	2	
6	11380	CLAMP WITH SCREWS	1	
7	11382	SAND SHIELD	1	
8	11383	CENTER PIPE HUB	1	
9	11456	DRAIN VALVE CAP	1	
10	11385	DRAIN VALVE O-RING	1	
11	11384	LATERAL	10	
12	11009	PUMP HOSE NUT	2	
13	11390	INTERCONNECTING HOSE	1	
14	11479	LEAF TRAP NUT	1	
15	11232	LEAF TRAP O-RING	1	
16	11260	BASKET	1	
17	11261	FILTER HOUSING NUT	1	
18	11228	L-SHAPE O-RING	4	
19	10460	AIR RELEASE VALVE/SEDIMENT RELEASE VALVE	1	
20	10264	AIR RELEASE VALVE O-RING	1	
21	11460	FLOW SENSOR	1	
22	11372	ELECTROLYTIC CELL HOUSING	1	
23	11389	TITANIUM PLATES	1	
24	11234	COPPER ELECTRODE	1	
25	11371	PRE-FILTER ASSEMBLY	1	
26	11465EG	PUMP MOTOR & CONTROL	1	
27	11439	L-SHAPE O-RING	1	
28	10747E	PLUNGER VALVE	2	HOSE O-RING & STEP WASHER INCLUDED
29	10262	HOSE O-RING	2	
30	10745	STEP WASHER	2	
31	10256	STRAINER NUT	2	
32	10255	FLAT STRAINER RUBBER WASHER	2	
33	11235	THREADED STRAINER CONNECTOR	2	
34	11074	ADJUSTABLE POOL INLET NOZZLE	1	
35	10722	ADAPTOR B	2	
36	11070	STRAINER CONNECTOR FOR 1-1/4" FITTING	2	OPTIONAL (NOT INCLUDED)
37	11071	POOL INLET NOZZLE	1	OPTIONAL (NOT INCLUDED)
38	11072	STRAINER GRID	1	OPTIONAL (NOT INCLUDED)
39	19635	3-WAY TEST STRIPS 59635	1	
40	11254	COPPER TEST STRIPS	1	
41	11480	LEAF TRAP COVER	1	
42	11432	ELECTROLYTIC CELL NUT	1	START FROM 2012
43	11440	O-RING FOR COPPER ELECTRODE	1	START FROM 2012
44	11441	COPPER ELECTRODE HOUSING	1	START FROM 2012
45	11457	O-RING FOR MOTOR INLET	2	START FROM 2012
46	11488	COPPER ELECTRODE NUT	1	START FROM 2012
47	11498	TANK	1	START FROM 2012
48	11513	TANK BASE	1	START FROM 2012
49	11515	O-RING ON TITANIUM PLATES	1	START FROM 2012
50	11437	VACUUM RELEASE VALVE	2	
51	11576	VACUUM RELEASE VALVE CAP	2	
	11633	#163 MANUAL FOR 56677		

14" KRYSTAL CLEAR™ SAND FILTER PUMP & SALTWATER SYSTEMS MODEL: CS15220 (56678)



14" KRYSTAL CLEAR™ SAND FILTER PUMP & SALTWATER SYSTEMS

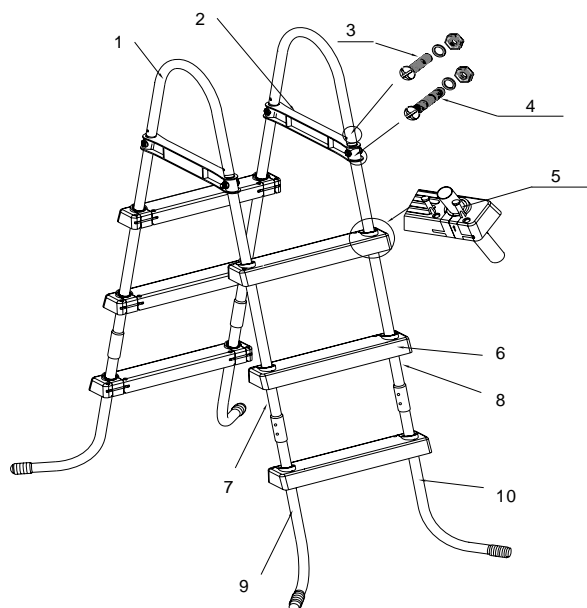
MODEL: CS15220 (56678)

REF. NO.	SPARE PART NO.	DESCRIPTION	QTY	REMARK
1	11411	PRESSURE GAUGE	1	
2	11378	6-WAY VALVE SET	1	
3	11131	ELECTROLYTIC CELL COVER	1	
4	11379	TANK O-RING	1	
5	11381	SCREW	2	
6	11380	CLAMP WITH SCREWS	1	
7	11382	SAND SHIELD	1	
8	11383	CENTER PIPE HUB	1	
9	11456	DRAIN VALVE CAP	1	
10	11385	DRAIN VALVE O-RING	1	
11	11384	LATERAL	10	
12	11010	PUMP HOSE WITH NUT	2	
13	11390	INTERCONNECTING HOSE	1	
14	11479	LEAF TRAP NUT	1	
15	11232	LEAF TRAP O-RING	1	
16	11260	BASKET	1	
17	11261	FILTER HOUSING NUT	1	
18	11228	L-SHAPE O-RING	4	
19	10460	AIR RELEASE VALVE/SEDIMENT RELEASE VALVE	1	
20	10264	AIR RELEASE VALVE O-RING	1	
21	11460	FLOW SENSOR	1	
22	11372	ELECTROLYTIC CELL HOUSING	1	
23	11389	TITANIUM PLATES	1	
24	11234	COPPER ELECTRODE	1	
25	11371	PRE-FILTER ASSEMBLY	1	
26	11466	PUMP MOTOR & CONTROL	1	
27	11439	L-SHAPE O-RING	1	
28	10747	PLUNGER VALVE	2	HOSE O-RING & STEP WASHER INCLUDED
29	10262	HOSE O-RING	2	
30	10745	STEP WASHER	2	
31	10256	STRAINER NUT	2	
32	10255	FLAT STRAINER RUBBER WASHER	2	
33	11235	THREADED STRAINER CONNECTOR	2	
34	11074	ADJUSTABLE POOL INLET NOZZLE	1	
35	10722	ADAPTOR B	2	
36	11070	STRAINER CONNECTOR FOR 1-1/4" FITTING	2	OPTIONAL (NOT INCLUDED)
37	11071	POOL INLET NOZZLE	1	OPTIONAL (NOT INCLUDED)
38	11072	STRAINER GRID	1	OPTIONAL (NOT INCLUDED)
39	19635	3-WAY TEST STRIPS 59635	1	
40	11254	COPPER TEST STRIPS	1	
41	11480	LEAF TRAP COVER	1	
42	11432	ELECTROLYTIC CELL NUT	1	START FROM 2012
43	11440	O-RING FOR COPPER ELECTRODE	1	START FROM 2012
44	11441	COPPER ELECTRODE HOUSING	1	START FROM 2012
45	11457	O-RING FOR MOTOR INLET	2	START FROM 2012
46	11488	COPPER ELECTRODE NUT	1	START FROM 2012
47	11498	TANK	1	START FROM 2012
48	11513	TANK BASE	1	START FROM 2012
49	11515	O-RING ON TITANIUM PLATES	1	START FROM 2012
	11634	#164 MANUAL FOR 56678		

LADDER PARTS LIST

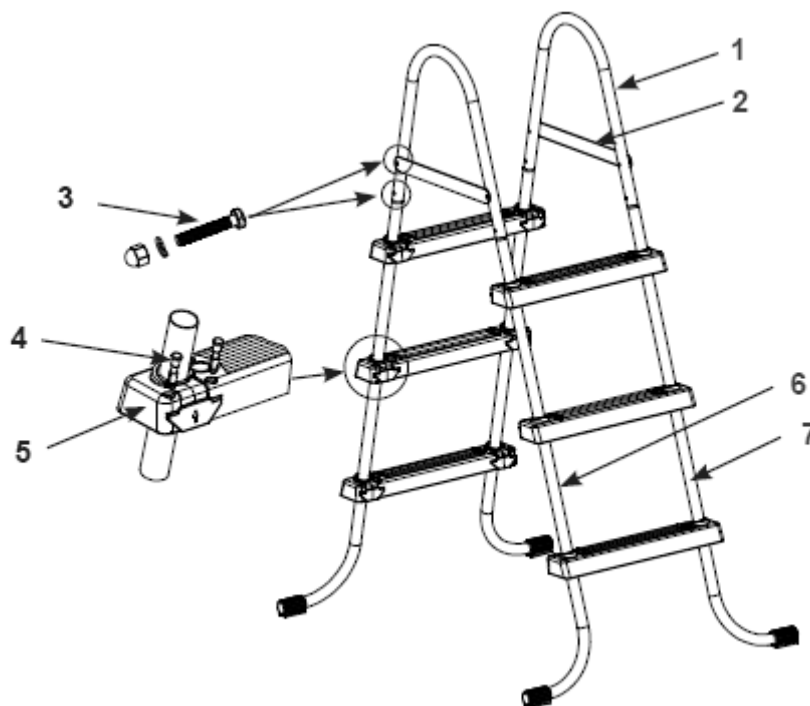


**36" (58972/58972E/11462) / 42" (58973/58973E) TWO-SECTION LADDER
PARTS REPLACEMENT-2013 DISCONTINUED**



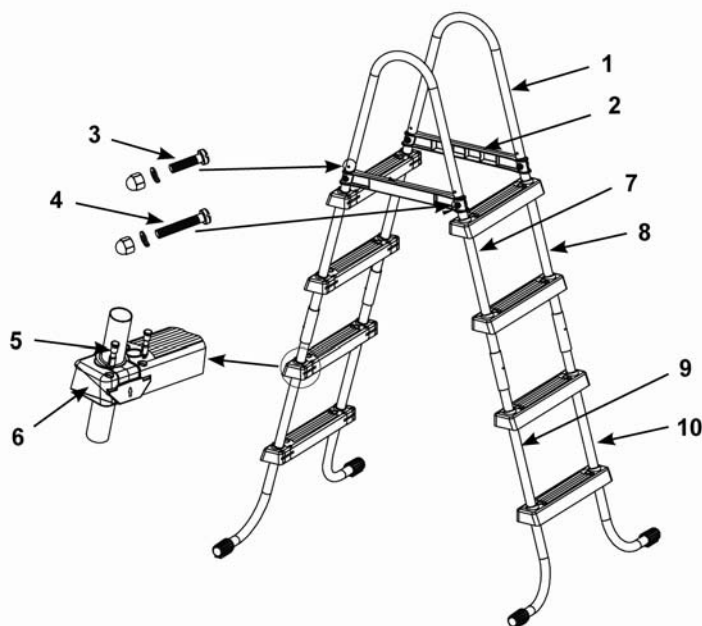
REF. NO.	SPARE PART NO.	DESCRIPTION	LADDER SIZE & QTY				
			36" (58972)	36" (58972E)	36" Grey (11462)	42" (58973/58973E)	42" Grey (11395)
1	11128	U-SHAPED TOP RAIL		2			
1	11164		2			2	
1	11396						2
1	11530				2		
2	11094	TOP BRACE	2	2		2	
2	11397				2		2
3	10228	SHORT FASTENER FOR U-SHAPED TOP RAIL(WITH 1 EXTRA)	5	5	5	5	5
4	10227	LONG FASTENER FOR TOP BRACE(WITH 1 EXTRA)	5	5	5	5	5
5	10349	STEP MOUNTING PIN(WITH 2 EXTRA)	26	26		26	
5	10913				26		26
6	10348	STEP	6	6		6	
6	10914				6		6
7	11091A	UPPER SIDE LEG ("A" ENGRAVED ON TOP CAP)	2	2			
7	11162A					2	
7	11398A						2
7	11531A				2		
8	11091B	UPPER SIDE LEG ("B" ENGRAVED ON TOP CAP)	2	2			
8	11162B					2	
8	11398B						2
8	11531B				2		
9	10895A	LOWER J-SHAPED SIDE LEG ("A" ENGRAVED ON TOP CAP)	2	2			
9	11163A					2	
9	11399A						2
9	11532A				2		
10	10895B	LOWER J-SHAPED SIDE LEG ("B" ENGRAVED ON TOP CAP)	2	2			
10	11163B					2	
10	11399B						2
10	11532B				2		
	18972/E	36" TWO-SECTION LADDER FOR 58972/E	-	-			
	11462	36" GREY TWO-SECTION LADDER			-		
	18973/E	42" TWO-SECTION LADDER FOR 58973E				-	
	11395	42" GREY TWO-SECTION LADDER					-

36" (58910/58910E/11406/11406E) / 42" (58907/11435) ONE-SECTION LADDER
PARTS REPLACEMENT- 2013 NEW



REF NO.	DESCRIPTION	SPARE PART NO.	36" Ladder				42" Ladder	
			58910	58910E	11406 (Gray)	11406E	58907 58907E	11435 (Gray)
1	U-SHAPED TOP RAIL	11402	2				2	
		11402E		2				
		11407			2			2
		11407E				2		
2	TOP BRACE	11403	2	2		2	2	
		11408			2			2
3	LONG FASTENER (WITH 2 EXTRA)	10810	10	10	10	10	10	10
4	STEP MOUNTING PIN (WITH 2 EXTRA)	10349	26	26			26	
		10913			26	26		26
5	STEP	10348	6	6			6	
		10914			6	6		6
6	J-SHAPED SIDE LEG (MARKED "A")	11404A	2	2				
		11405A					2	
		11409A			2	2		
		11436A						2
7	J-SHAPED SIDE LEG (MARKED "B")	11404B	2	2				
		11405B					2	
		11409B			2	2		
		11436B						2

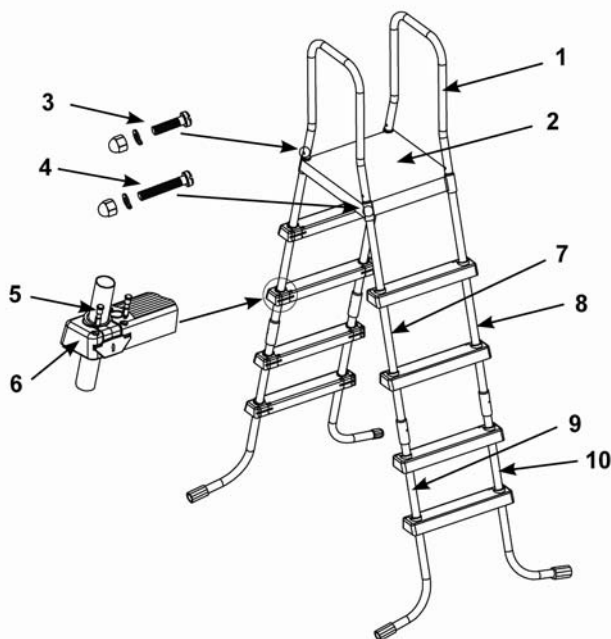
48" (58974/10903) TWO-SECTION LADDER PARTS REPLACEMENT



48" (122 cm) model

REF. NO.	DESCRIPTION	SPARE PART NO.	48" 2-Sec. Ladder	
			58974	10903(Gray)
1	U-SHAPED TOP RAIL	11167	2	
		11171		2
2	TOP BRACE	11168	2	
		11172		2
3	SHORT FASTENER FOR U-SHAPED TOP RAIL (WITH 1 EXTRA)	10810	5	5
4	LONG FASTENER FOR TOP BRACE (WITH 1 EXTRA)	10227	5	5
5	STEP MOUNTING PIN (WITH 2 EXTRA)	10349	34	
		10913		34
6	STEP	10348	8	
		10914		8
7	UPPER SIDE LEG (MARKED "A")	11553A	2	
		11555A		2
8	UPPER SIDE LEG (MARKED "B")	11553B	2	
		11555B		2
9	LOWER J-SHAPED SIDE LEG (MARKED "A")	11554A	2	
		11556A		2
10	LOWER J-SHAPED SIDE LEG (MARKED "B")	11554B	2	
		11556B		2

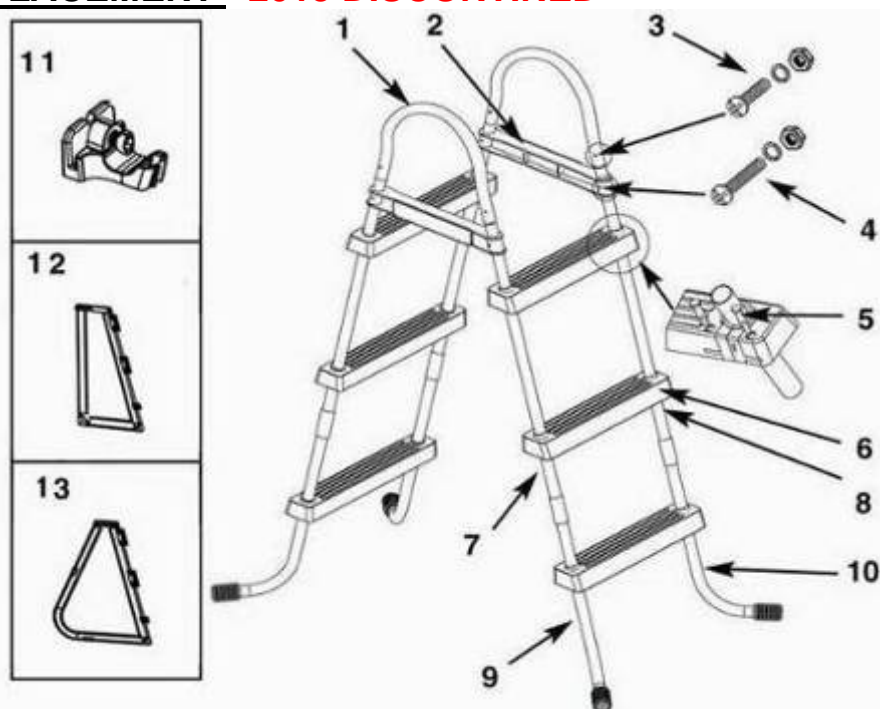
52" (58975/ 10904) TWO-SECTION LADDER PARTS REPLACEMENT



52in (132 cm) model

REF. NO.	DESCRIPTION	SPARE PART NO.	52" 2-Sec. Ladder	
			58975	10904 (Gray)
1	U-SHAPED TOP RAIL	10815	2	
		10911		2
2	TOP PLATFORM	11145	1	
		11146		1
3	SHORT FASTENER FOR U-SHAPED TOP RAIL (WITH 1 EXTRA)	10810	5	5
4	LONG FASTENER FOR TOP BRACE (WITH 1 EXTRA)	10227	5	5
5	STEP MOUNTING PIN (WITH 2 EXTRA)	10349	34	
		10913		34
6	STEP	10348	8	
		10914		8
7	UPPER SIDE LEG (MARKED "A")	11557A	2	
		11559A		2
8	UPPER SIDE LEG (MARKED "B")	11557B	2	
		11559B		2
9	LOWER J-SHAPED SIDE LEG (MARKED "A")	11558A	2	
		11560A		2
10	LOWER J-SHAPED SIDE LEG (MARKED "B")	11558B	2	
		11560B		2

36" (58976E) / 42" (58977E) TWO-SECTION LADDER PARTS REPLACEMENT - 2013 DISCONTINUED

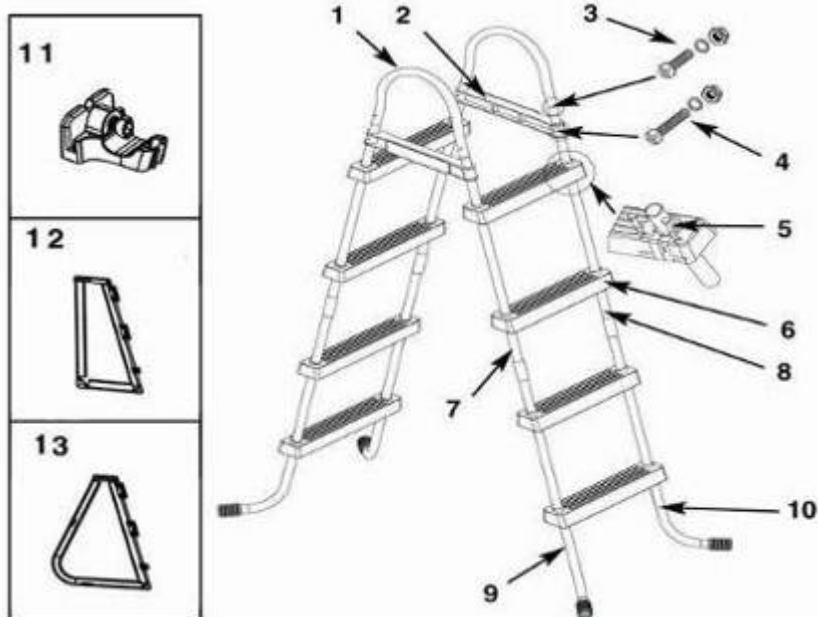


REF NO.	SPARE PART NO.	DESCRIPTION	QTY	REMARK
1*	11128	U-SHAPED TOP RAIL	2	
1**	11164	U-SHAPED TOP RAIL	2	
2	11094	TOP BRACE	2	
3	10228	SHORT FASTENER FOR U-SHAPED TOP RAIL	5	WITH 1 EXTRA
4	10227	LONG FASTENER FOR TOP BRACE	5	WITH 1 EXTRA
5	10349	STEP MOUNTING PIN	26	WITH 2 EXTRA
6	10348	STEP	6	
7*	11091A	UPPER SIDE LEG ("A" ENGRAVED ON TOP CAP)	2	
7**	11162A	UPPER SIDE LEG ("A" ENGRAVED ON TOP CAP)		
8*	11091B	UPPER SIDE LEG ("B" ENGRAVED ON TOP CAP)	2	
8**	11162B	UPPER SIDE LEG ("B" ENGRAVED ON TOP CAP)		
9*	10895A	LOWER J-SHAPED SIDE LEG ("A" ENGRAVED ON TOP CAP)	2	
9**	11163A	LOWER J-SHAPED SIDE LEG ("A" ENGRAVED ON TOP CAP)		
10*	10895B	LOWER J-SHAPED SIDE LEG ("B" ENGRAVED ON TOP CAP)	2	
10**	11163B	LOWER J-SHAPED SIDE LEG ("B" ENGRAVED ON TOP CAP)		
11	11189	CLAMP	2	
12	11180	SMALL BARRIER FOR ROUND FRAME POOL	1	
13	11181	SMALL BARRIER FOR EASY SET POOL	1	
	11185	BARRIER & CLAMPS FOR 36" & 42" TWO-SECTION LADDER	1	ONLY AVAILABLE FOR ROUND METAL FRAME POOL
	11186	BARRIER & CLAMPS FOR 36" & 42" TWO-SECTION LADDER	1	ONLY AVAILABLE FOR EASY SET POOL
*	18972E	36" TWO-SECTION LADDER		
**	18973E	42" TWO-SECTION LADDER		

* ONLY AVAILABLE FOR 36" TWO SECTION LADDER (58976E)

** ONLY AVAILABLE FOR 42" TWO SECTION LADDER (58977E)

48" (58978E) / 48" GRAY TWO-SECTION LADDER WITH BARRIER PARTS REPLACEMENT – 2013 DISCONTINUED

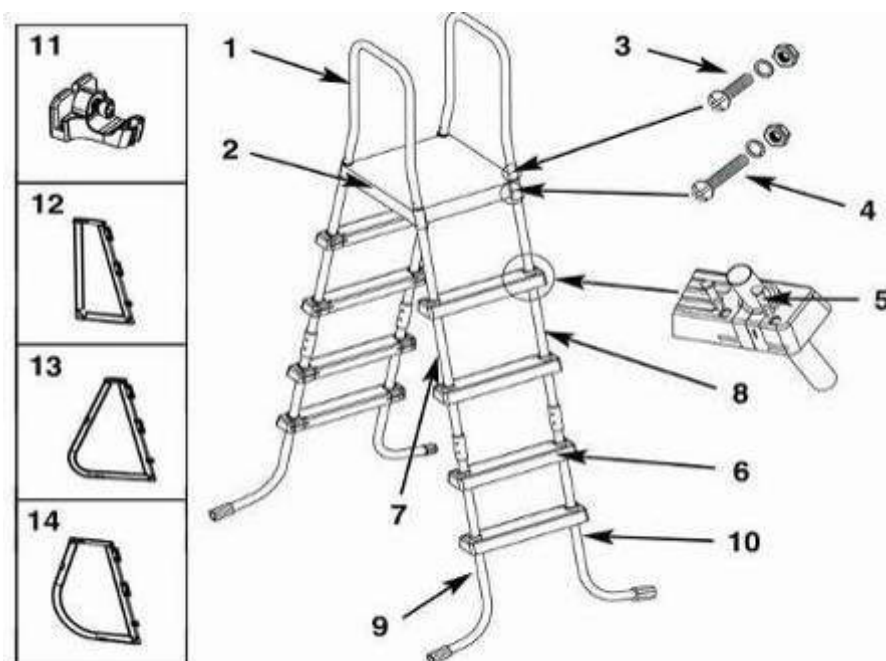


REF. NO.	SPARE PART NO.	DESCRIPTION	QTY	REMARK
1*	11167	U-SHAPED TOP RAIL	2	
1**	11171	U-SHAPED TOP RAIL	2	
2*	11168	TOP BRACE	2	
2**	11172	TOP BRACE	2	
3	10810	SHORT FASTENER FOR U-SHAPED TOP RAIL	5	WITH 1 EXTRA
4	10227	LONG FASTENER FOR TOP PLATFORM	5	WITH 1 EXTRA
5*	10349	STEP MOUNTING PIN	34	WITH 2 EXTRA
5**	10913	STEP MOUNTING PIN	34	
6*	10348	STEP	8	
6**	10914	STEP	8	
7*	11165A	UPPER SIDE LEG ("A" ENGRAVED ON TOP CAP)	2	
7**	11169A	UPPER SIDE LEG ("A" ENGRAVED ON TOP CAP)	2	
8*	11165B	UPPER SIDE LEG ("B" ENGRAVED ON TOP CAP)	2	
8**	11169B	UPPER SIDE LEG ("B" ENGRAVED ON TOP CAP)	2	
9*	11166A	LOWER J-SHAPED SIDE LEG ("A" ENGRAVED ON TOP CAP)	2	
9**	11170A	LOWER J-SHAPED SIDE LEG ("A" ENGRAVED ON TOP CAP)	2	
10*	11166B	LOWER J-SHAPED SIDE LEG ("B" ENGRAVED ON TOP CAP)	2	
10**	11170B	LOWER J-SHAPED SIDE LEG ("B" ENGRAVED ON TOP CAP)	2	
11	11189	CLAMP	3	
12	11182	LARGE BARRIER FOR ROUND FRAME POOL	1	
13	11183	LARGE BARRIER FOR EASY SET POOL	1	
	11187	BARRIER & CLAMPS FOR 48" & 52" TWO-SECTION LADDER	1	ONLY AVAILABLE FOR ROUND METAL FRAME POOL
	11188	BARRIER & CLAMPS FOR 48" & 52" TWO-SECTION LADDER	1	ONLY AVAILABLE FOR EASY SET POOL
*	18974	48" TWO-SECTION LADDER		'09 CHANGE
**	10903	48" GRAY TWO-SECTION LADDER		'09 CHANGE

* ONLY AVAILABLE FOR 48" TWO SECTION LADDER (58978E)

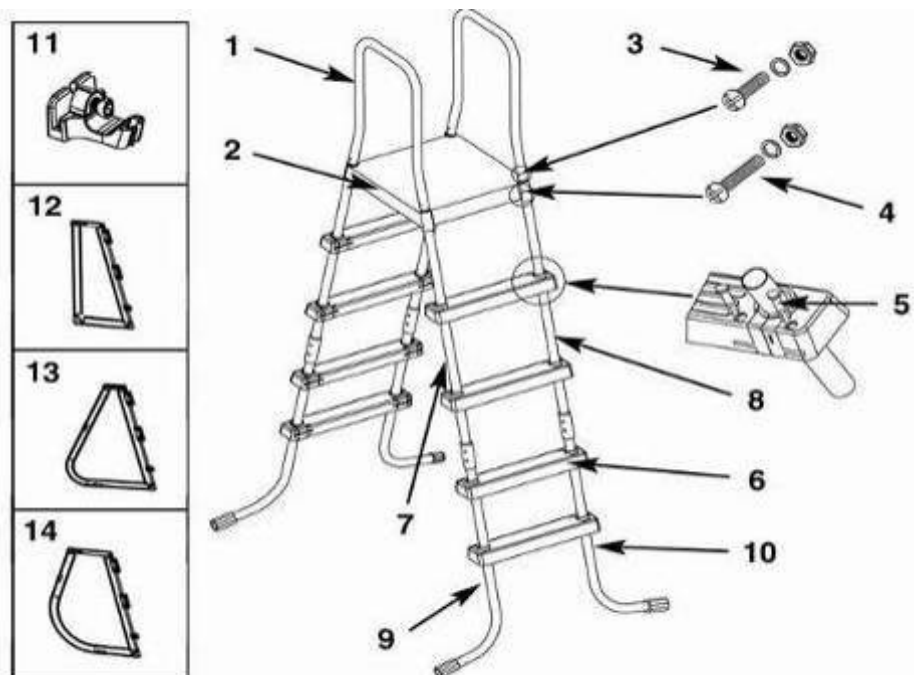
** ONLY AVAILABLE FOR 48" GRAY TWO SECTION LADDER WITH BARRIER

52" (58979E) TWO-SECTION LADDER PARTS REPLACEMENT – 2013 DISCONTINUED



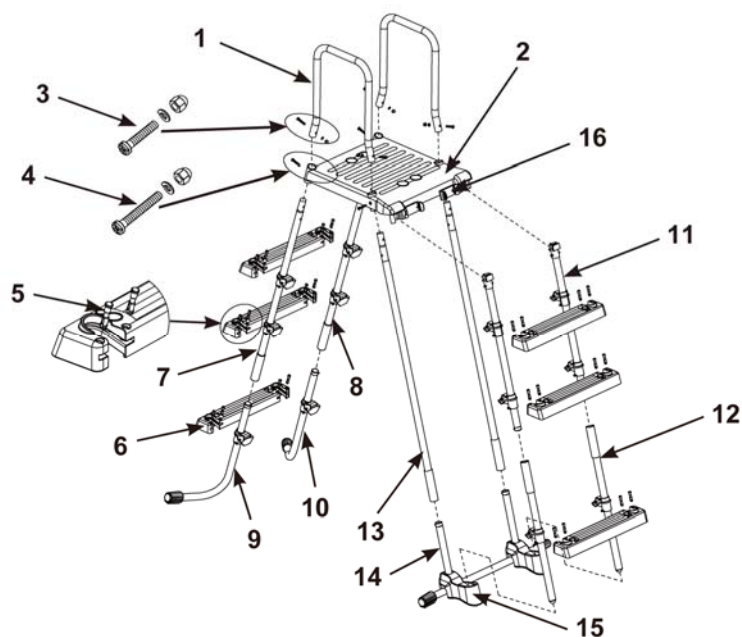
REF. NO.	SPARE PART NO.	DESCRIPTION	QTY	REMARK
1	10815	U-SHAPED TOP RAIL	2	
2	11145	TOP PLATFORM	1	
3	10810	SHORT FASTENER FOR U-SHAPED TOP RAIL	5	WITH 1 EXTRA
4	10227	LONG FASTENER FOR TOP PLATFORM	5	WITH 1 EXTRA
5	10349	STEP MOUNTING PIN	34	WITH 2 EXTRA
6	10348	STEP	8	
7	10822A	UPPER SIDE LEG ("A" ENGRAVED ON TOP CAP)	2	
8	10822B	UPPER SIDE LEG ("B" ENGRAVED ON TOP CAP)	2	
9	11006A	LOWER J-SHAPED SIDE LEG ("A" ENGRAVED ON TOP CAP)	2	
10	11006B	LOWER J-SHAPED SIDE LEG ("B" ENGRAVED ON TOP CAP)	2	
11	11189	CLAMP	3	
12	11182	LARGE BARRIER FOR ROUND FRAME POOL	1	
13	11183	LARGE BARRIER FOR EASY SET POOL	1	
14	11184	BARRIER FOR RECTANGULAR FRAME POOL	1	
	11187	BARRIER & CLAMPS FOR 48" & 52" TWO-SECTION LADDER	1	ONLY AVAILABLE FOR ROUND METAL FRAME POOL
	11188	BARRIER & CLAMPS FOR 48" & 52" TWO-SECTION LADDER	1	ONLY AVAILABLE FOR EASY SET POOL
	11190	BARRIER & CLAMPS FOR 52" TWO-SECTION LADDER	1	ONLY AVAILABLE FOR RECTANGULAR FRAME POOL
	18975	52" TWO-SECTION LADDER		

52" GRAY TWO-SECTION LADDER WITH BARRIER PARTS REPLACEMENT – 2013 DISCONTINUED



REF. NO.	SPARE PART NO.	DESCRIPTION	QTY	REMARK
1	10911	U-SHAPED TOP RAIL	2	
2	11146	TOP PLATFORM	1	
3	10810	SHORT FASTENER FOR U-SHAPED TOP RAIL	5	WITH 1 EXTRA
4	10227	LONG FASTENER FOR TOP PLATFORM	5	WITH 1 EXTRA
5	10913	STEP MOUNTING PIN	34	WITH 2 EXTRA
6	10914	STEP	8	
7	10917A	UPPER SIDE LEG ("A" ENGRAVED ON TOP CAP)	2	
8	10917B	UPPER SIDE LEG ("B" ENGRAVED ON TOP CAP)	2	
9	10918A	LOWER J-SHAPED SIDE LEG ("A" ENGRAVED ON TOP CAP)	2	
10	10918B	LOWER J-SHAPED SIDE LEG ("B" ENGRAVED ON TOP CAP)	2	
11	11189	CLAMP	3	
12	11182	LARGE BARRIER FOR ROUND FRAME POOL	1	
13	11183	LARGE BARRIER FOR EASY SET POOL	1	
14	11184	BARRIER FOR RECTANGULAR FRAME POOL	1	
	11187	BARRIER & CLAMPS FOR 48" & 52" TWO-SECTION LADDER	1	ONLY AVAILABLE FOR ROUND METAL FRAME POOL
	11188	BARRIER & CLAMPS FOR 48" & 52" TWO-SECTION LADDER	1	ONLY AVAILABLE FOR EASY SET POOL
	11190	BARRIER & CLAMPS FOR 52" TWO-SECTION LADDER	1	ONLY AVAILABLE FOR RECTANGULAR FRAME POOL
	10904	52" GRAY TWO-SECTION LADDER	1	

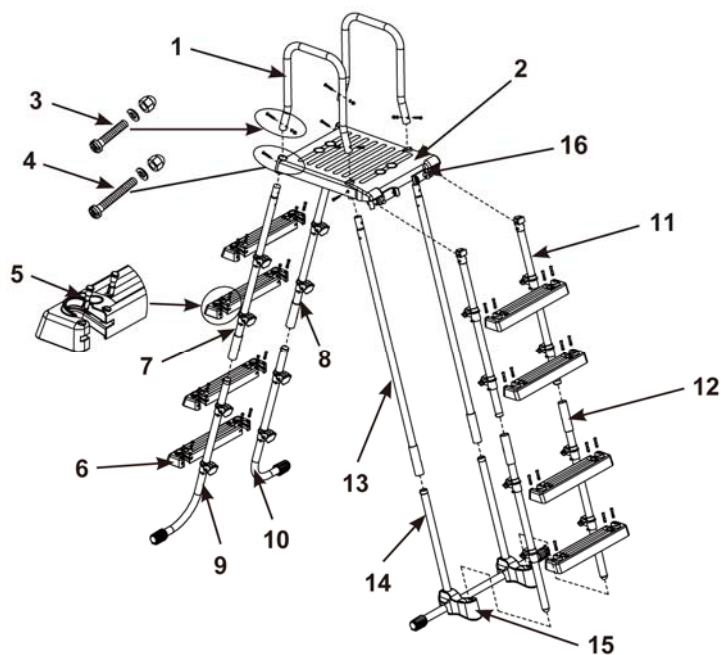
ITEM: 58969/58969E - 42" LADDER WITH REMOVABLE STEPS PARTS REPLACEMENT



42in (107 cm) model

REF. NO.	SPARE PART NO.	DESCRIPTION	QTY	REMARK
1*	11334	U-SHAPED TOP RAIL	2	FOR 58969 ONLY
1**	11335	U-SHAPED TOP RAIL	2	FOR 58969E ONLY
2	11336	TOP PLATFORM	1	
3	10228	SHORT FASTENER FOR U-SHAPED TOP RAIL	5	WITH 1 EXTRA
4	10810	LONG FASTENER FOR TOP PLATFORM	5	WITH 1 EXTRA
5	10913	STEP MOUNTING PIN	26	WITH 2 EXTRA
6	10914	STEP	6	
7	11341	A SIDE – UPPER SIDE LEG (MARKED "A1")	1	
8	11341	A SIDE – UPPER SIDE LEG (MARKED "B1")	1	
9	11342	A SIDE – LOWER J – LEG (MARKED "A1")	1	
10	11343	A SIDE – LOWER J – LEG (MARKED "B1")	1	
11	11339	B SIDE – UPPER SIDE LEG (MARKED "A2 & B2")	2	
12	11340	B SIDE – LOWER SIDE LEG (MARKED "A2 & B2")	2	
13	11337	C SIDE – UPPER SIDE LEG (MARKED "C")	2	
14	11338	C SIDE – LOWER U-SHAPED SIDE LEG (MARKED "C")	1	
15	11344	SUPPORT BASE	2	
16	11345	CLASP	2	
*	18969	42" LADDER WITH REMOVABLE STEPS		
**	18969E	42" LADDER WITH REMOVABLE STEPS		

ITEM: 58971/58971E- 52" LADDER WITH REMOVABLE STEPS



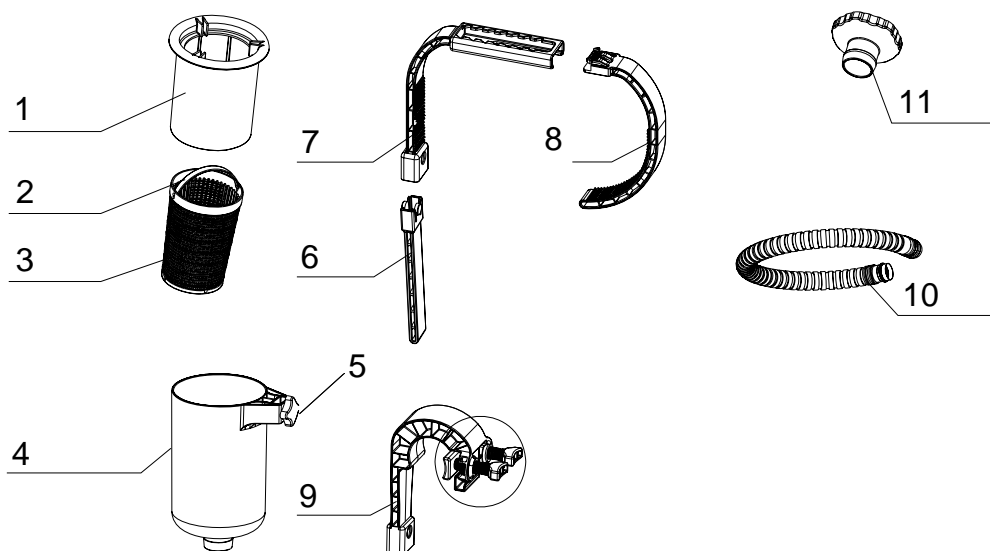
52in (132 cm) model

REF. NO.	SPARE PART NO.	DESCRIPTION	QTY	REMARK
1*	11346	U-SHAPED TOP RAIL	2	FOR 58971 ONLY
1**	11347	U-SHAPED TOP RAIL	2	FOR 58971E ONLY
2	11597	TOP PLATFORM	1	
3	10810	SHORT FASTENER FOR U-SHAPED TOP RAIL	5	WITH 1 EXTRA
4	10227	LONG FASTENER FOR TOP PLATFORM	5	WITH 1 EXTRA
5	10913	STEP MOUNTING PIN	34	WITH 2 EXTRA
6	10914	STEP	8	
7	11559A	A SIDE – UPPER SIDE LEG (MARKED “A1”)	1	
8	11559B	A SIDE – UPPER SIDE LEG (MARKED “B1”)	1	
9	11560A	A SIDE – LOWER J – LEG (MARKED “A1”)	1	
10	11560B	A SIDE – LOWER J – LEG (MARKED “B1”)	1	
11	11594	B SIDE – UPPER SIDE LEG (MARKED “A2 & B2”)	2	
12	11593	B SIDE – LOWER SIDE LEG (MARKED “A2 & B2”)	2	
13	11595	C SIDE – UPPER SIDE LEG (MARKED “C”)	2	
14	11596	C SIDE – LOWER U – SHAPED SIDE LEG (MARKED “C”)	1	
15	11356	SUPPORT BASE	2	
16	11345	CLASP	2	
*	18971	52” LADDER WITH REMOVABLE STEPS		
**	18971E	52” LADDER WITH REMOVABLE STEPS		

AGP ACCESSORIES PARTS LIST

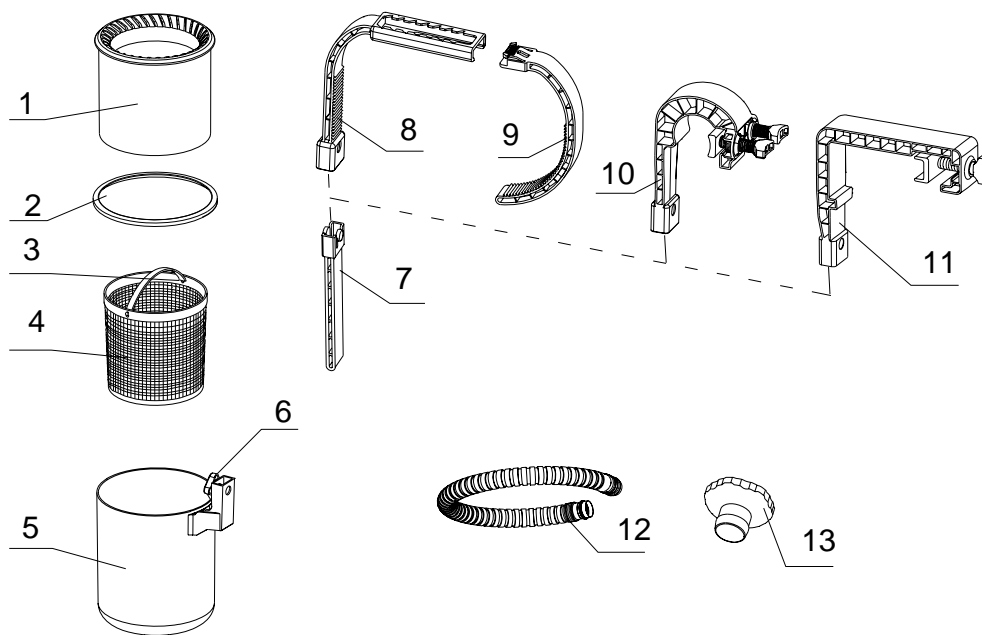


WALL MOUNT SURFACE SKIMMER
ITEM: 58946
PARTS REPLACEMENT



REF. NO.			SPARE PART NO.	DESCRIPTION	QTY
EASY SET™ POOL	FRAME POOL	COMMON			
		1	10523	FLOATING COVER	1
		2	10534	BASKET HANDLE	1
		3	10524	BASKET	1
		4	10525	SKIMMER	1
		5	10526	SCREW	1
		6	10522	DEPTH ADJUSTER	1
7			10521	HOOK (OPTIONAL)	1
8			10520	ARM (OPTIONAL)	1
	9		11502	FRAME HOOK (OPTIONAL)	1
		10	10531	SKIMMER HOSE	1
		11	11238	HOSE ADAPTOR	1
			18946	WALL MOUNT SURFACE SKIMMER	

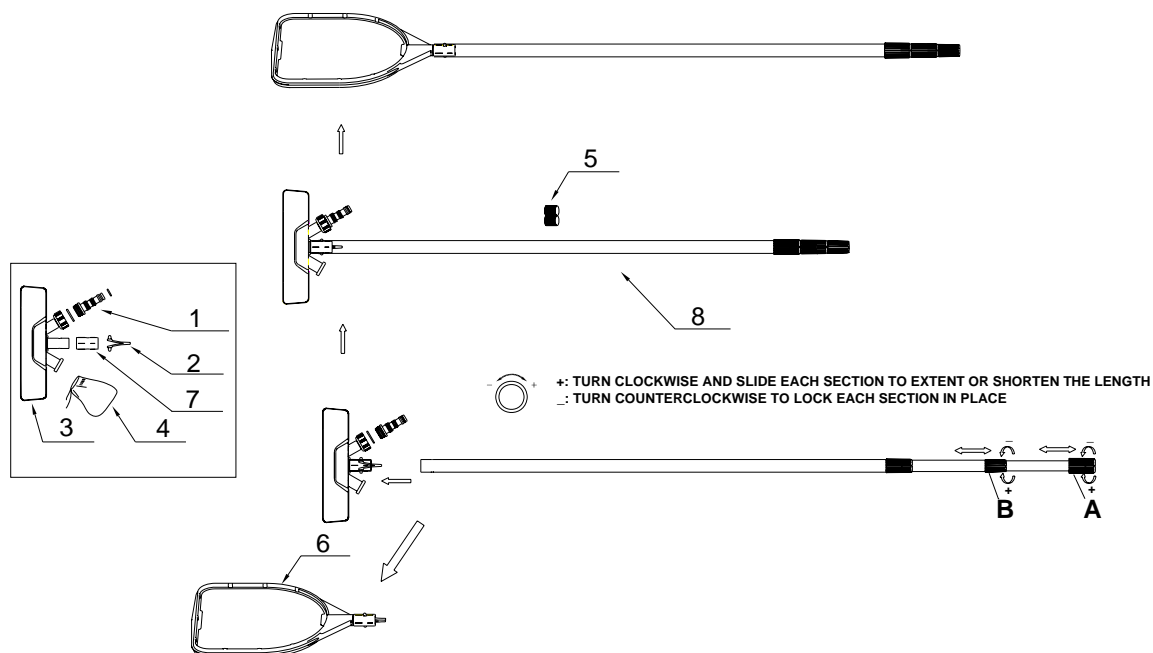
DELUXE WALL MOUNT SURFACE SKIMMER
ITEM: 58949
PARTS REPLACEMENT



REF. NO.				SPARE PART NO.	DESCRIPTION	QTY
EASY SET™ POOL	FRAME POOL	SEQUOIA SPIRIT™ POOL SET	COMMON			
			1	11075	FLOATING COVER	1
			2	11076	COVER FIXER	1
			3	11077	BASKET HANDLE	1
			4	11078	BASKET	1
			5	11079	SKIMMER	1
			6	10526	SCREW	1
			7	10522	DEPTH ADJUSTER	1
8				10521	HOOK (OPTIONAL)	1
9				10520	ARM (OPTIONAL)	1
	10			11502	FRAME HOOK (OPTIONAL)	1
		11*		11153	TOP BOARD HOOK (OPTIONAL)	1
			12	10531	SKIMMER HOSE	1
			13	11238	HOSE ADAPTOR B	1

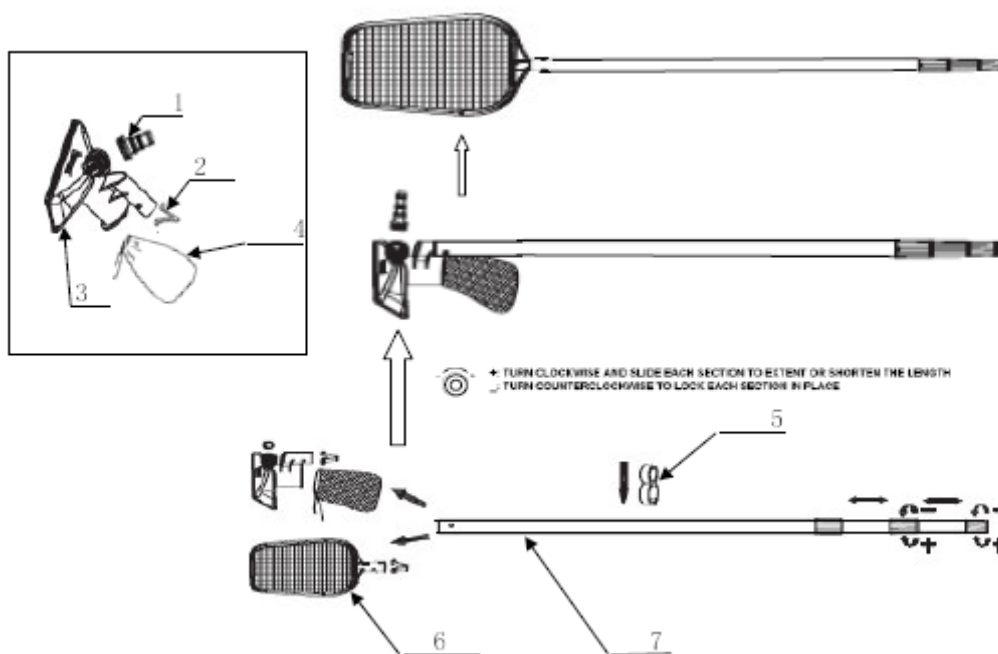
* ONLY AVAILABLE AND INCLUDED IN SEQUOIA SPIRIT™ WOOD-GRAIN POOL SET

**ITEM: 58944/58960WL POOL MAINTENANCE KIT – 2011 DISCONTINUED
 (KEEP ONE MORE YEAR)
PARTS REPLACEMENT**



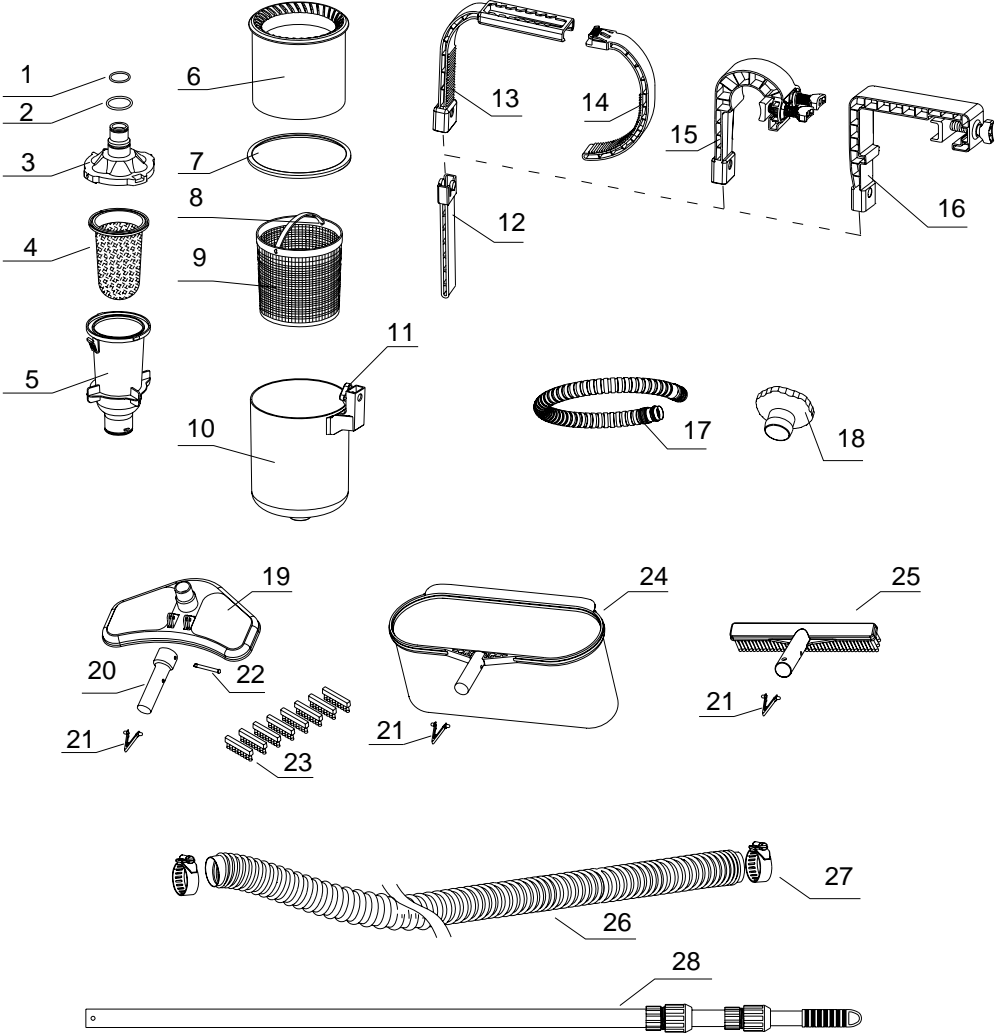
REF. NO.	SPARE PART NO.	DESCRIPTION	QTY	REMARK
1	10143	CONNECTOR FOR SPRAY POOL & SPRAYER	1	OPTIONAL
2	10280	V-SPRING	2	
3	10281	CLEANING HEAD	1	V-SPRING 10280 AND WASHER INCLUDED
4	10282	DEBRIS COLLECTION	1	
5	10283	HOSE CLAMP	1	
6	10322	SKIMMER NET AND V-SPRING	1	V-SPRING 10280 INCLUDED
7	10596	SHAFT ADAPTER	1	
8	10637	TELESCOPING ALUMINUM SHAFT OF POOL MAINTENANCE KIT	1	
	18944	POOL MAINTENANCE KIT		

ITEM: 58958 POOL MAINTENANCE KIT PARTS REPLACEMENT



REF. NO.	SPARE PART NO.	DESCRIPTION	QTY	REMARK
1	10143	CONNECTOR FOR SPRAY POOL & SPRAYER	1	OPTIONAL
2	10280	V-SPRING	2	
3	11191	CLEANING HEAD	1	V-SPRING 10280 AND WASHER INCLUDED
4	10282	DEBRIS COLLECTION	1	
5	10283	HOSE CLAMP	1	
6	11230	SKIMMER NET AND V-SPRING	1	V-SPRING 10280 INCLUDED
7	10637	TELESCOPING ALUMINUM SHAFT OF POOL MAINTENANCE KIT	1	
	18958	POOL MAINTENANCE KIT		2011 NEW

DELUXE POOL MAINTENANCE KIT
ITEM: 58947
PARTS REPLACEMENT

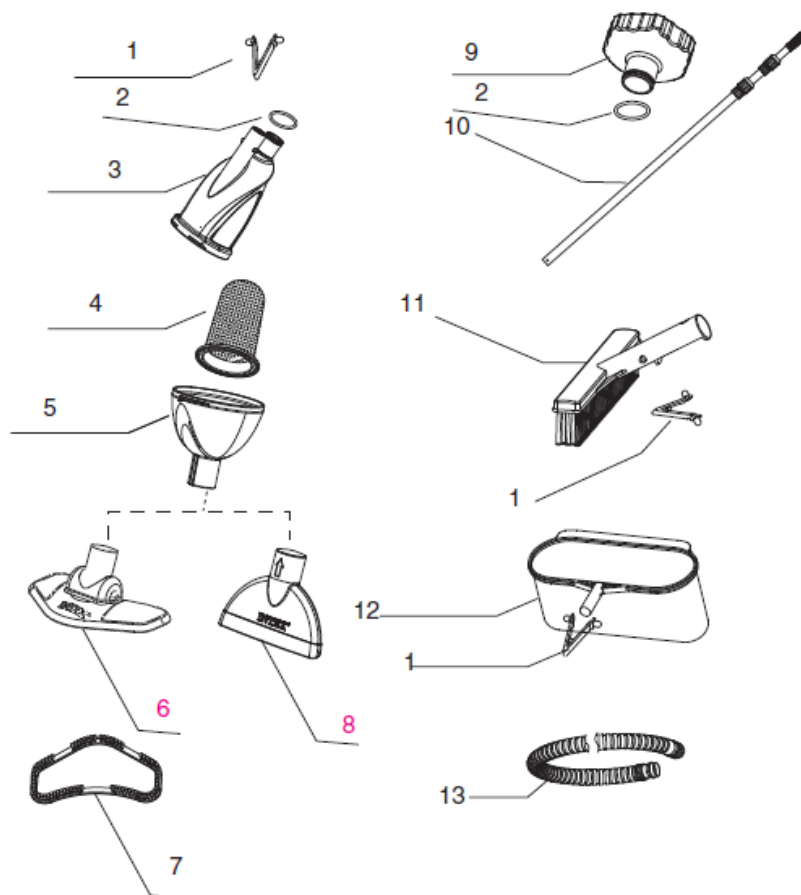


58947 DELUXE POOL MAINTENANCE KIT

REF. NO.				SPARE PART NO.	DESCRIPTION	QTY	Remark
EASY SET™ POOL	FRAME POOL	SEQUOIA SPIRIT™ POOL	COMMON				
			1	10134	HOSE SEAL	1	
			2	10262	HOSE O-RING	1	
			3	11095	VACUUM COVER	1	HOSE SEAL & HOSE O-RING INCLUDED
			4	10788	DEBRIS BAG	1	
			5	10789	VACUUM BODY	1	O-RING INCLUDED
			6	11075	FLOATING COVER	1	
			7	11076	COVER FIXER	1	
			8	11077	BASKET HANDLE	1	
			9	11078	BASKET	1	BASKET HANDLE INCLUDED
			10	11079	SKIMMER	1	
			11	10526	SCREW	1	
			12	10522	DEPTH ADJUSTER	1	
13				10521	HOOK	1	OPTIONAL
14				10520	ARM	1	OPTIONAL
	15			11502	FRAME HOOK	1	OPTIONAL
		16*		11153	TOP BOARD HOOK	1	OPTIONAL
			17	10531	SKIMMER HOSE	1	
			18	11238	HOSE ADAPTOR B	1	
			19	10791	VACUUM HEAD	1	SHAFT ADAPTOR, SPRING, PIN & BRUSH INCLUDED, 2011 CHANGE
			20	10792	HANDLE ADAPTOR	1	
			21	10794	SPRING	3	
			22	10793	PIN	1	
			23	10795	BRUSH	8	
			24	10796	SKIMMER NET	1	SPRING INCLUDED
			25	11073	BRUSH HEAD	1	
			26	10797	VACUUM HOSE	1	
			27	10122	HOSE CLAMP	2	
			28	10798	TELESCOPING ALUMINUM SHAFT	1	

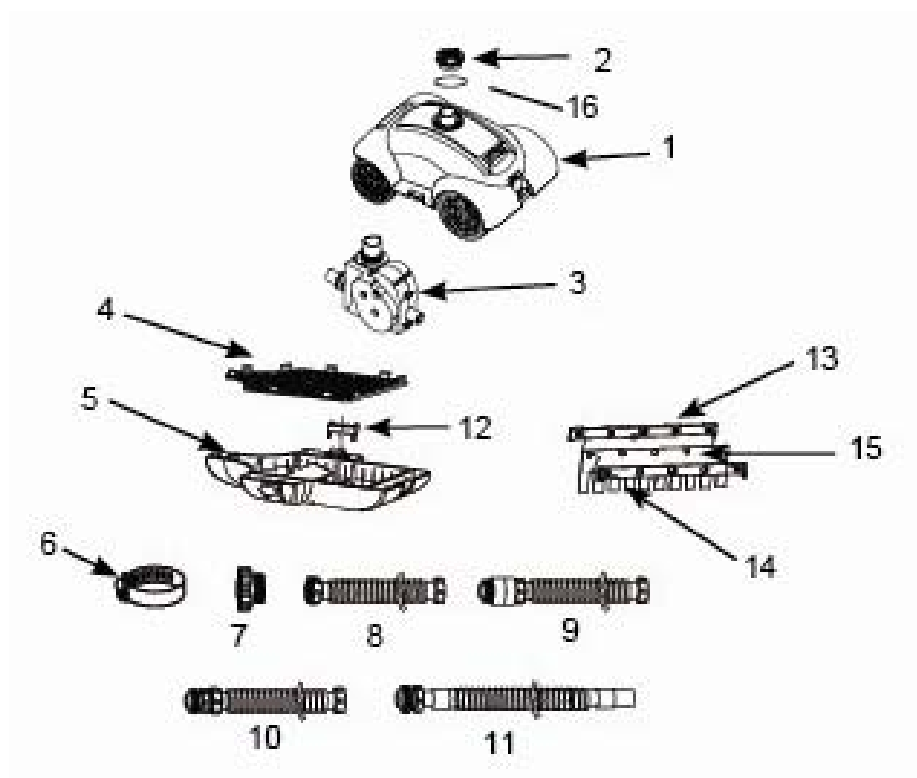
* ONLY AVAILABLE AND INCLUDED IN SEQUOIA SPIRIT™ WOOD-GRAIN POOL SET

58959 DELUXE POOL MAINTENANCE KIT



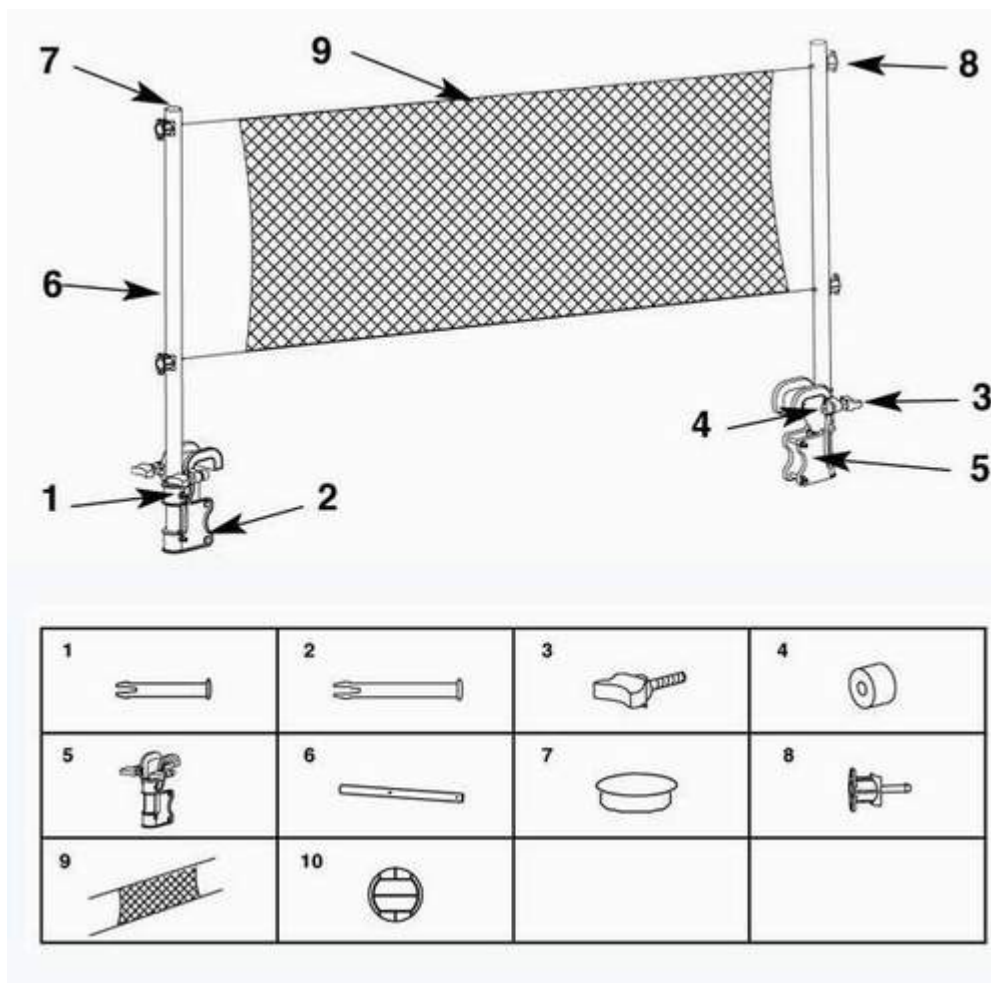
REF. NO.	SPARE PART NO.	DESCRIPTION	QTY
1	10794	SPRING	3
2	10134	HOSE SEAL	2
3	11431	VACUUM BODY (SPRING&HOSE SEAL INCLUDED)	1
4	10788	DEBRIS BAG	1
5	11443	VACUUM BODY COVER	1
6	11445	VACUUM HEAD (BRUSH INCLUDED)	1
7	11446	BRUSH	1
8	11444	FLAT VACUUM NOZZLE	1
9	11447	ADAPTOR (HOSE SEAL INCLUDED)	1
10	10798	TELESCOPING ALUMINUM SHAFT	1
11	11073	BRUSH HEAD (SPRING INCLUDED)	1
12	10796	SKIMMER NET (SPRING INCLUDED)	1
13	10797	VACUUM HOSE	1

58948 AUTO POOL CLEANER PARTS REPLACEMENT



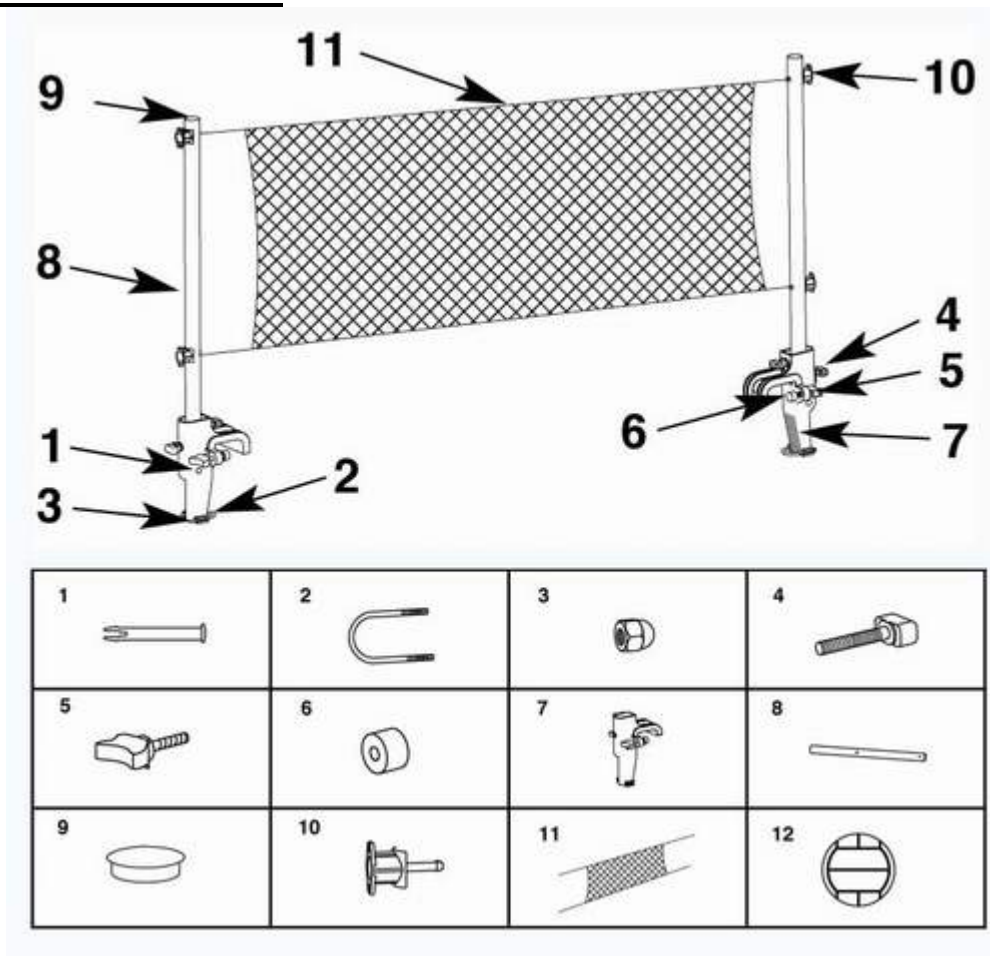
REF. NO.	SPARE PART NO.	DESCRIPTION	QTY	REMARK
1	11565	CLEANER TOP	1	
2	11569	COLLAR NUT	1	
3	11566	GEAR MODULE	1	
4	11568	DEBRIS NET	1	
5	10965	CLEANER BASE	1	2012 CHANGE
6	10272	HOSE CLAMP	1	
7	11239	HOSE ADAPTOR	1	
8	10850	HOSE A	1	
9	10851	HOSE B	3	
10	10852	HOSE C	3	
11	10957	HOSE D	1	
12	11138	DEAD WEIGHT BLOCK	2	
13	11493	BRUSH SUPPORT A (WITH 2 EXTRA)	4	
14	11567	BRUSH (WITH 2 EXTRA)	12	
15	11494	BRUSH SUPPORT B (WITH 2 EXTRA)	4	
16	11621	EXHAUST RING PLATE	1	

18951 POOL VOLLEYBALL SET FOR CIRCULAR METAL FRAME POOL PARTS REPLACEMENT



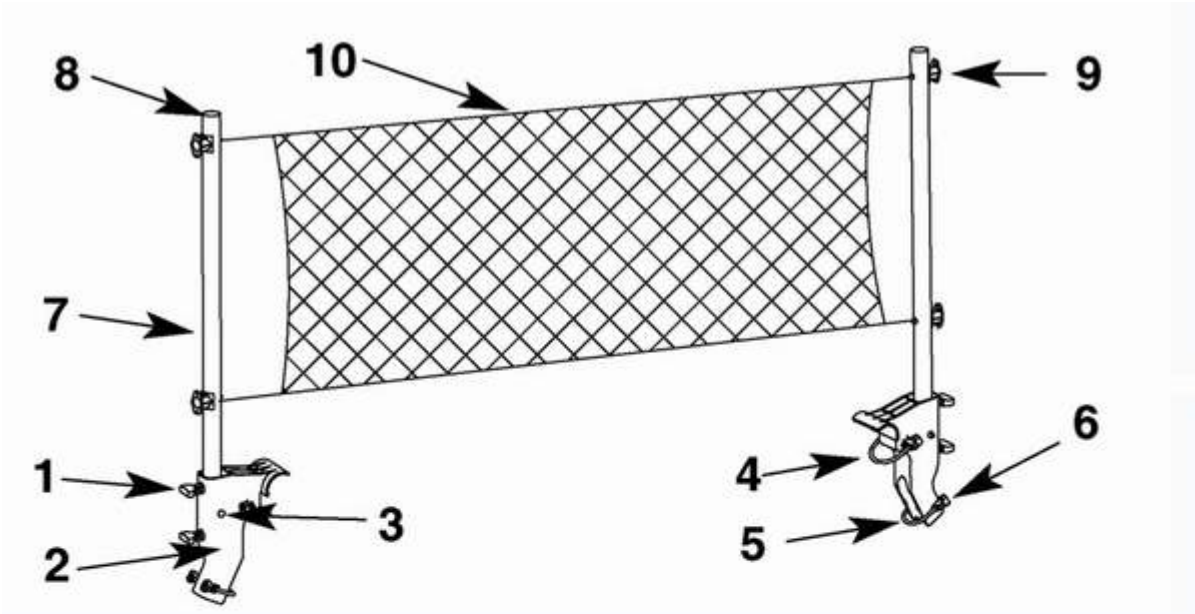
REF. NO.	SPARE PART NO.	DESCRIPTION	QTY	REMARK
1	10312	LONG PIN	6	WITH 2 EXTRA
2	11504	X-LONG PIN	6	WITH 2 EXTRA
3	10907	DOVETAIL SCREW	4	
4	10537	RUBBER FENDER	4	
5	11503	POLE BRACKET	2	DOVETAIL SCREWS AND RUBBER FENDERS INCLUDED
6	11173	POLE	2	
7	10539	VOLLEYBALL POLE END PLUG	2	
8	10535	VOLLEYBALL NET FASTENER	4	
9	10867	VOLLEYBALL NET	1	FOR 16' (488CM) & BELOW AGP
9	10540	VOLLEYBALL NET	1	FOR 17" (518CM) & ABOVE AGP
10	10541	VOLLEYBALL	1	
	18951	VOLLEYBALL SET		

18952U / 18952UM POOL VOLLEYBALL SET FOR RECTANGULAR ULTRA FRAME POOLS PARTS REPLACEMENT



REF. NO.	SPARE PART NO.	DESCRIPTION	QTY	REMARK
1	10312	LONG PIN	4	WITH 2 EXTRA
2	10901	U-BOLT	2	FOR RECTANGULAR ULTRA FRAME POOL
3	10547	NUT	4	
4	10545	CONTROL SCREW	4	
5	10907	DOVETAIL SCREW	4	
6	10537	RUBBER FENDER	4	
7	10905	POLE BRACKET	2	DOVETAIL SCREWS AND RUBBER FENDERS INCLUDED
8	11173	POLE	2	
9	10539	VOLLEYBALL POLE END PLUG	2	
10	10535	VOLLEYBALL NET FASTENER	4	
11	10866	VOLLEYBALL NET	1	FOR 9' X 18' & 12' X 24' RECTANGULAR FRAME POOL AND RECTANGULAR ULTRA FRAME POOL
11	10867	VOLLEYBALL NET	1	FOR 16' X 32' RECTANGULAR FRAME POOL AND RECTANGULAR ULTRA FRAME POOL
12	10541	VOLLEYBALL	1	
	18952U	VOLLEYBALL SET		FOR 9'X18' & 12'X24' RECTANGULAR ULTRA FRAME POOL
	18952UM	VOLLEYBALL SET		FOR 16'X32' RECTANGULAR ULTRA FRAME POOL

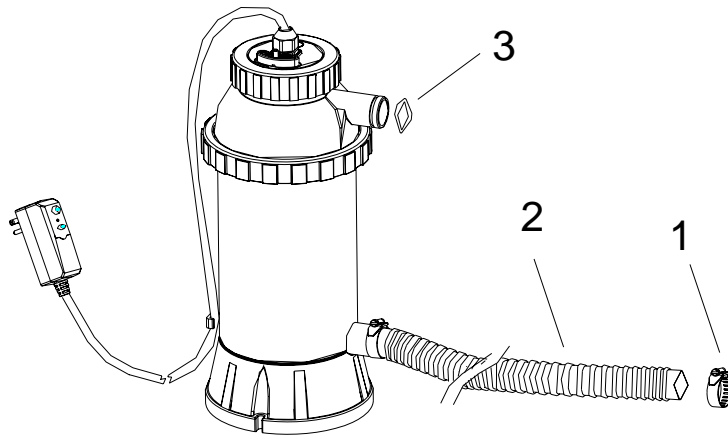
58956 POOL VOLLEYBALL SET FOR INTEX OVAL FRAME POOLS PARTS REPLACEMENT



1		2		3		4	
5		6		7		8	
9		10		11			

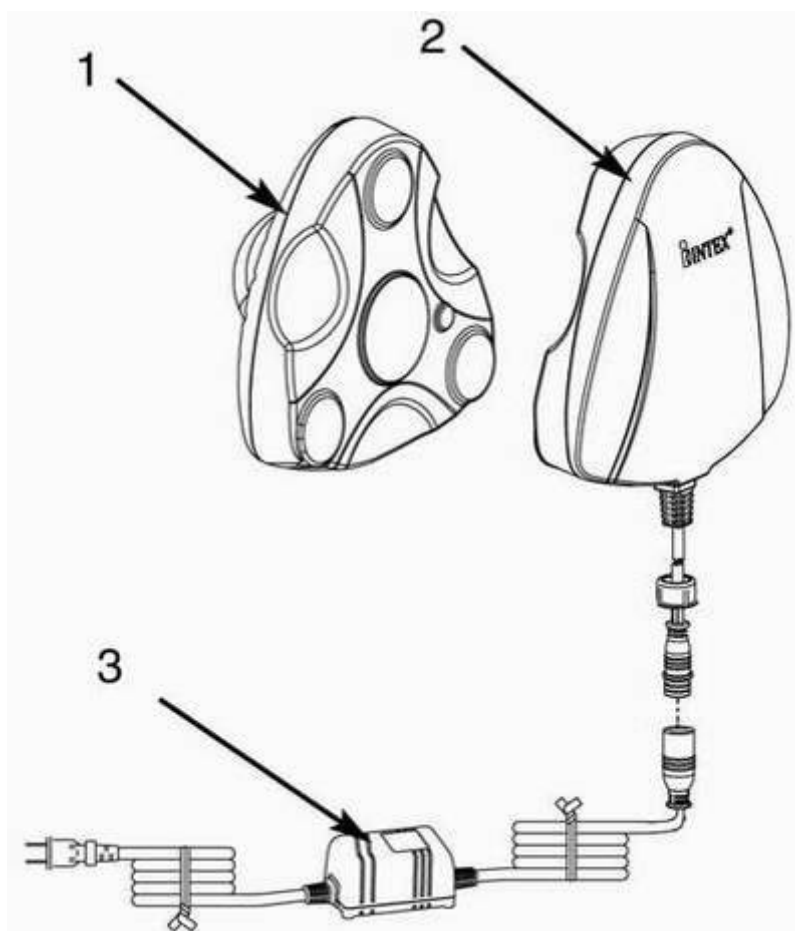
REF. NO.	SPARE PART NO.	DESCRIPTION	QTY	REMARK
1	10545	CONTROL SCREW	4	
2	10684	POLE BRACKET	2	
3	11504	X-LONG PIN	4	WITH 2 EXTRA
4	10686	U BOLT A	2	
5	10544	U-BOLT	2	
6	10657	NUT	8	
7	10685	POLE	2	
8	10539	VOLLEYBALL POLE END PLUG	2	
9	10535	VOLLEYBALL NET FASTENER	4	
10	10866	VOLLEYBALL NET	1	
11	10541	VOLLEYBALL	1	
	10687	VOLLEYBALL SET		

56684 ELECTRIC POOL HEATER PARTS REPLACEMENT



REF. NO.	SPARE PART NO.	DESCRIPTION	QTY
1	10116	1.5m X DIA 1-1/4" HOSE	1
2	10122	HOSE CLAMP	2
3	10134	HOSE SEAL	2
	16684	230V ELECTRIC POOL HEATER	

LED POOL- WALL LIGHT PARTS REPLACEMENT



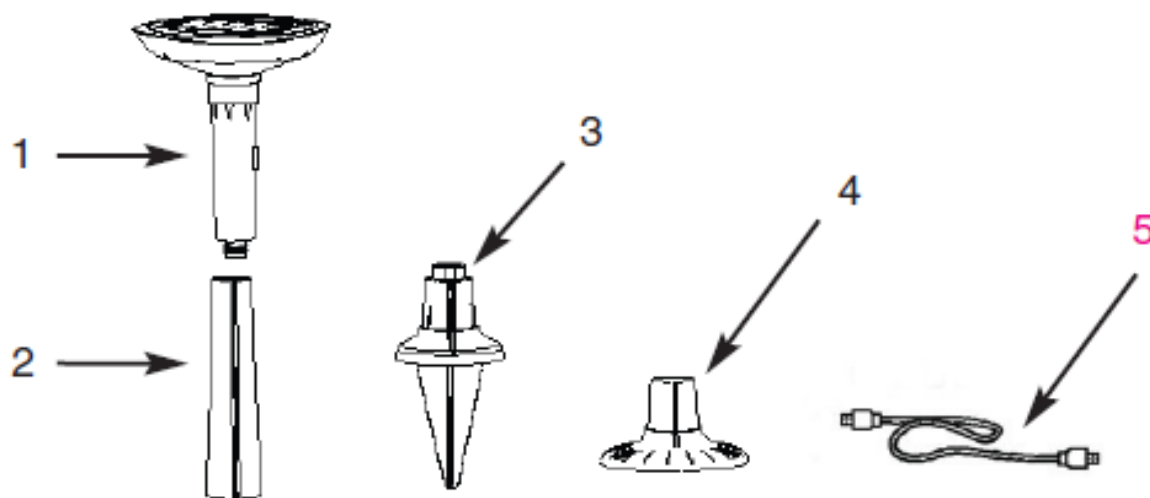
ITEM: 56687

REF. NO.	SPARE PART NO.	DESCRIPTION	QTY	REMARK
1	11263	POOL LIGHT	1	2011 CHANGE COLOR
2	11264	TRANSMITTER	1	2011 CHANGE COLOR
3	11266	TRANSFORMER	1	2011 LONG LINE CORD
3	11266BR	TRANSFORMER	1	2011 LONG LINE CORD

ITEM: 56688

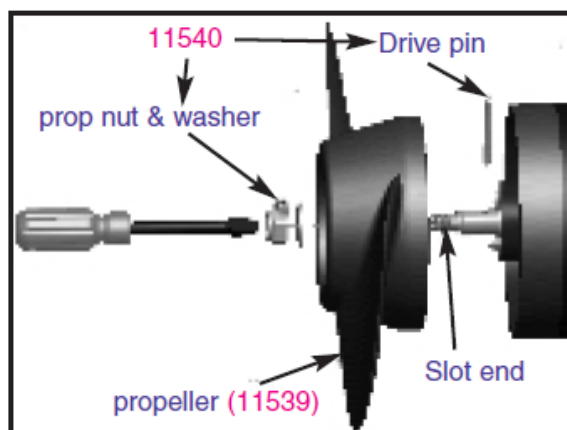
REF. NO.	SPARE PART NO.	DESCRIPTION	QTY	REMARK
1	11263	POOL LIGHT	1	2011 CHANGE COLOR
2	11265	TRANSMITTER	1	2011 CHANGE COLOR
3	11267	TRANSFORMER	1	
3	11267BS	TRANSFORMER	1	FOR BS ONLY
3	11267SW	TRANSFORMER	1	FOR SW ONLY

56695 LAWN BRITE™ SOLAR LED LANDSCAPE LIGHT PARTS REPLACEMENT



REF. NO.	SPARE PART NO.	DESCRIPTION	QTY	REMARK
1	11255	SOLAR LIGHT	1	2011 CHANGE
2	11256	LOWER TUBE	1	
3	11257	STAKE	1	
4	11258	BASE	1	
5	11393	USB CHARGING CABLE	1	2011 NEW

68631 TRANSOM MOUNT TROLLING MOTOR



REF. NO.	SPARE PART NO.	DESCRIPTION	QTY	REMARK
1	11539	PROPELLER	1	
2	11540	NUT, WASHER & DRIVE PIN	1	
3	11551	TRANSOM MOUNT TROLLING MOTOR		

AGP POOL COVERS

SPARE PART NO.	DESCRIPTION	REMARK
18939	8' EASY SET POOL COVER	
18938	10' EASY SET POOL COVER	
18919	12' EASY-SET POOL COVER	
18967	POOL COVER FOR 14' EASY SET POOL	FOR IRC ONLY
18920	15' EASY-SET POOL COVER	
18928	16' EASY-SET POOL COVER	
18917	18' EASY-SET POOL COVER	
18406	10' ROUND METAL FRAME POOL COVER	
18411	12' ROUND METAL FRAME POOL COVER	
11142	POOL COVER FOR 13' ROUND METAL FRAME POOL	FOR IRC ONLY
11054	POOL COVER FOR 14' ROUND METAL FRAME POOL	
18901	15' ROUND METAL FRAME POOL COVER	
10754	16' ROUND METAL FRAME POOL COVER	
18937	18' ROUND METAL FRAME POOL COVER	
11289	POOL COVER FOR 20' ROUND METAL FRAME POOL	FOR IRC ONLY
11509	22' ROUND METALFRAME POOL COVER	FOR IRC ONLY
18929	24' ROUND METAL FRAME POOL COVER	
11542	26' ROUND METAL FRAME POOL COVER	FOR IRC ONLY
17901	DELUXE POOL COVER FOR 16' ROUND FRAME POOL	
17900	DELUXE POOL COVER FOR 18' ROUND FRAME POOL	
11491	DELUXE POOL COVER FOR 15'8" X 49" SEQUOIA SPIRIT™ WOOD-GRAIN FRAME POOL	
11087	DELUXE POOL COVER FOR 16' 8" X 49" SEQUOIA SPIRIT WOOD-GRAIN FRAME POOL	
11088	DELUXE POOL COVER FOR 18' 8" X 53" SEQUOIA SPIRIT™ WOOD-GRAIN FRAME POOL	
10871	POOL COVER FOR 10'X18'X42" OVAL FRAME POOL	
10662	POOL COVER FOR 12'X20'X48" OVAL FRAME POOL	
10663	POOL COVER FOR 12'X24'X48" OVAL FRAME POOL	2011 DISCONTINUED
11522	POOL COVER FOR 9' X 15' RECTANGULAR ULTRA FRAME POOL	FOR FR ONLY
10756	POOL COVER FOR 9'X18'X52" RECTANGULAR POOL/RECTANGULAR ULTRA POOL	
18936	POOL COVER FOR 12'X24'X48"/52" RECTANGULAR FRAME POOL	
10757	POOL COVER FOR 16'X32'X52" RECTANGULAR POOL/RECTANGULAR ULTRA POOL	
11317	DELUXE POOL COVER FOR 10'X20'X52" RECTANGULAR FRAME POOL	FOR IRC ONLY, 2013 DISCONTINUED
11651	3 X 2 X 0.75CM SMALL RECTANGULAR POOL COVER	2013 NEW
19952	SOLAR POOL COVER FOR 10' EASY SET AND ROUND METAL FRAME POOLS	ONLY AVAILABLE FOR SELLING PURPOSE
19953	SOLAR POOL COVER FOR 12' EASY SET AND ROUND METAL FRAME POOLS	ONLY AVAILABLE FOR SELLING PURPOSE
19954	SOLAR POOL COVER FOR 15' EASY SET AND ROUND METAL FRAME POOLS	ONLY AVAILABLE FOR SELLING PURPOSE
19956	SOLAR POOL COVER FOR 16' EASY SET AND ROUND METAL FRAME POOLS	ONLY AVAILABLE FOR SELLING PURPOSE
19955	SOLAR POOL COVER FOR 18' EASY SET AND ROUND METAL FRAME POOLS	ONLY AVAILABLE FOR SELLING PURPOSE
19957	SOLAR POOL COVER FOR 9' X 18' RECTANGULAR FRAME POOLS	ONLY AVAILABLE FOR SELLING PURPOSE
19958	SOLAR POOL COVER FOR 8' EASY SET POOL	ONLY AVAILABLE FOR SELLING PURPOSE

AGP GROUND CLOTH – ONLY AVAILABLE FOR SELLING PURPOSE

SPARE PART NO.	DESCRIPTION	REMARK
18932	GROUND CLOTH FOR 8'/10'/12'/15" EASY SET AND ROUND FRAME POOL	
18927	GROUND CLOTH FOR 16' EASY SET AND ROUND FRAME POOL	
18933	GROUND CLOTH FOR 18' EASY SET AND ROUND FRAME POOL	
11510	GROUND CLOTH FOR 22'X52" MEAL FRAME POOL	
18935	GROUND CLOTH FOR 24' EASY SET AND ROUND FRAME POOL	
11543	GROUND CLOTH FOR 26' ROUND FRAME POOL	
11290	GROUND CLOTH FOR 20'X48" ULTRA FRAME POOL	
10666	GROUND CLOTH FOR 12'X20'X48" OVAL FRAME POOL	
10667	GROUND CLOTH FOR 12'X24'X48" OVAL FRAME POOL	2012 DISCONTINUED
11521	GROUND CLOTH FOR 9' X 15' RECTANGULAR ULTRA FRAME POOL	
10759	GROUND CLOTH FOR 9'X18'X52" RECTANGULAR POOL/RECTANGULAR ULTRA FRAME POOL	
11316	GROUND CLOTH FOR 10'X20'X52" RECTANGULAR FRAME POOL	2013 DISCONTINUED
18941	GROUND CLOTH FOR 12'X24'X48"/52" RECTANGULAR FRAME POOL	
10760	GROUND CLOTH FOR 16'X32'X52" RECTANGULAR POOL/RECTANGULAR ULTRA FRAME POOL	

DVD



SPARE PART NO.	DESCRIPTION	REMARK
11611	DVD (13A) FOR EASY SET POOL	
11612	DVD (13B) FOR 10'-24' CIRCULAR FRAME POOL	
11613	DVD (13C) FOR CIRCULAR ULTRA FRAME POOL	
11617	DVD (13J) FOR SALTWATER SYSTEM WITH COPPER	
11618	DVD (13K) FOR SALTWATER SYSTEM & FILTER PUMP	
11619	DVD (13M) FOR 12" -16" SAND FILTER PUMP AND SAND FILTER PUMP COMBO	
11620	DVD (13P) FOR OZONE AND SALTWATER SYSTEM	
11417	DVD (11D) FOR 18'X10'X42" AND 20'X12'X48" OVAL FRAME POOL	
11418	DVD (11F) FOR RECTANGULAR ULTRA FRAME POOL	
11505	DVD (12H) FOR 15'-18' WOOD GRAIN POOL	